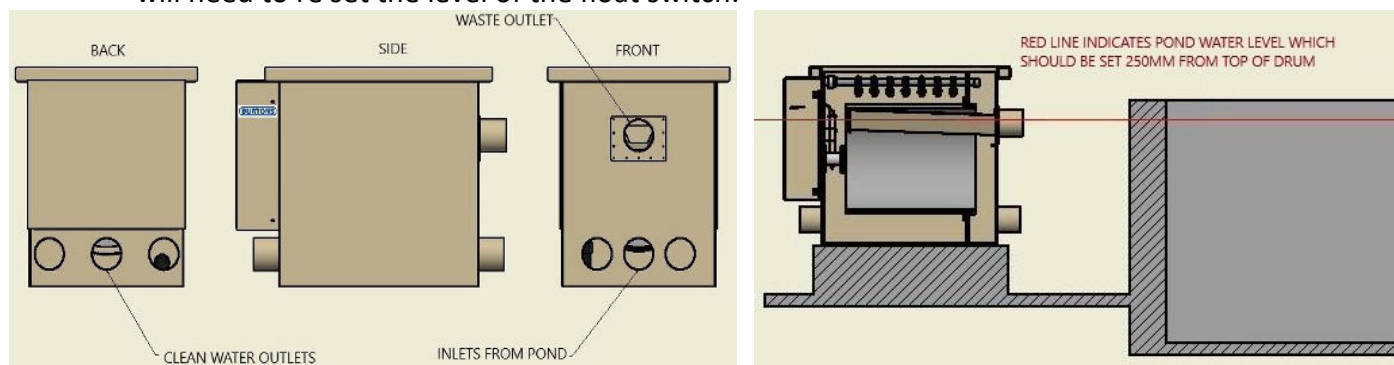




## Set up instructions for BD filter range on a Gravity fed system

This is a quick set up guide, for full instructions please see website or contact us.

- The BD drum filter is simple to set up. The most important factor when installing this unit is having the correct water level which on a Gravity fed unit is 250mm down from the top of the unit when the system is switched off (please see diagram below)
- The BD range of drum filters need to be installed on a flat level concrete base as when full will be heavy, if the base is inadequate this could damage the BD filter.
- **DO NOT FIT THE BD FILTER IN AREAS THAT HAVE NO ACTIVE DRAINAGE AS WATER DAMAGE WILL INVALIDATE YOUR WARRANTY.**
- **ANY ADDITIONAL ELECTRICAL CONNECTIONS MUST BE CARRIED OUT BY A QUALIFIED ELECTRICIAN.** Power needed for the BD range: Single phase 240Vac 13amp RCD supply.
- When using this unit for the first time care should be taken when filling the unit from the pond. Inlet valves should be opened slowly and on systems that have dirty water you might have to reset the controller a few times because of over clean safety function. If possible running the system slower will reduce this issue.
- Connect up 110mm inlets from bottom drains, side feeds or surface skimmers. We advise fitting a valve on every inlet used. Then cap off all unused inlets.
- Connect up 110mm outlets to Bio filter or water pumps then cap off all unused outlets.
- Connect the waste outlet, we recommended keeping the waste outlet at 110mm
- Rubber boot fittings are recommend for installation. You cannot solvent weld on to the filter.
- **Please note the float is not pre-set as every system has its own running level.** Adjustments to the float switch will determine the cleaning gap, by adjusting the float down it will increase the gap between cleans, lifting it will shorten time between cleans. When the system is first started and depending on how dirty the pond water is, determines how far down you will need to set the float switch for the first 24hrs or so, once the BD filter has cleaned the water you can bring the float back up to get a stable clean time through the day
- Recommended set point for the float is 40mm below normal running level.
- It is recommended that all pumps and submersible UVs are wired directly into the controller, please see full instructions for wiring information.
- With all Drum system we recommend an **auto top up** and **overflow** be fitted to the pond. This is essential for you to maintain the correct water level for the drum system.
- If once the system is up and running you adjust the flow rate (changing the speed of a pump) you will need to re set the level of the float switch.



Burtons service department. Tel: 01622 834330,  
Email: [aquatics@burtonsdirect.com](mailto:aquatics@burtonsdirect.com)

Please have your serial number to hand, which is located on the data label on the back cover of the BD filter.

**[WWW.BURTONSAQUATICS.COM](http://WWW.BURTONSAQUATICS.COM)**

## BD FILTER CONTROLS

<u>Buttons</u>	<u>Action</u>
A	Manual rotation (when pressed)
B	Advanced menu / menus scroll
ESC	Escape out of menu
-	Time decrease
+	Time increase
OK	<ol style="list-style-type: none"><li>1. In normal mode pressing OK will start a clean cycle.</li><li>2. In advance it will turn pumps on and off.</li><li>3. In advance it will turn over run on and off.</li></ol>

## SERVICE AND MAINTENANCE

The BD range of drum filters are designed to aid in the daily pond cleaning and are not maintenance free there are still checks and cleaning that need to be done to ensure the filter runs at its best.

- If a blanket weed treatment has been used, you will need to clean the waste chute before it gets over loaded if the treatment was late and growth was long.
- Check the cleaning nozzles with the advance mode (check for blockages).
- Clean the nozzle filter on the high pressure pump inlet.
- Periodically clean the screen with Burtons Drum cleaner to remove lime scale.

## SCREEN UNBLOCKING PROCEDURE

If for any reason the screen becomes overloaded with waste and the BD filter shuts down, follow these steps.

1. Switch off all water pumps drawing off the BD filter. Also turn the Drum control box off for 2 minutes.
2. Remove the black bypass pipe. (TF filters have 2 pipes)
3. Allow the water to balance in both clean and dirty side of the drum filter.
4. Once balanced and the water weight load is off the drum place the lid on and press the OK button to do a clean.
5. Ensure the BD filter is set to do a whole rotation of 65 on the display this will ensure the screen is cleaned.
6. Top up any lost water to correct pond level.
7. Replace bypass pipe.
8. Start pumps slowly if you have an adjustable one.
9. When you are back to full flow check float height and clean top up water is adequate.

Note: If you run a short clean time you will be in danger of blocking the screen as it will have a non-clean part of the screen on first rotation to flow the water through.

**For Please fill out and return the Product Warranty Registration Form included.**