



made in Italy

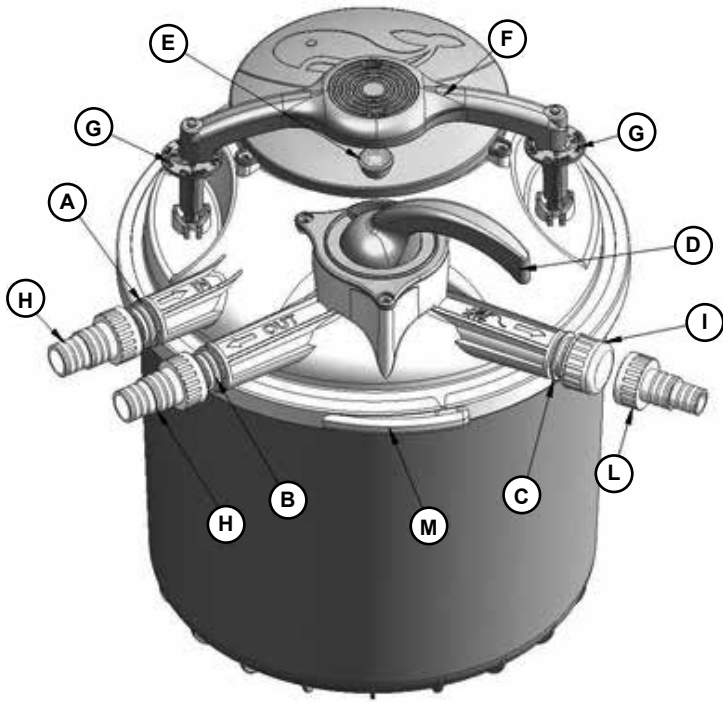
Green Reset



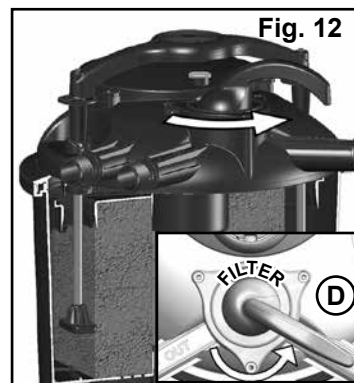
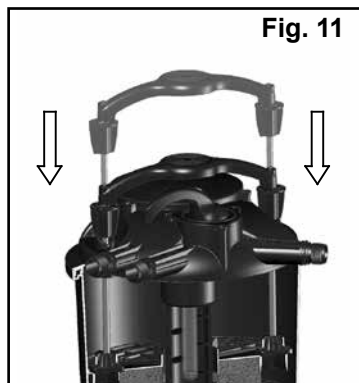
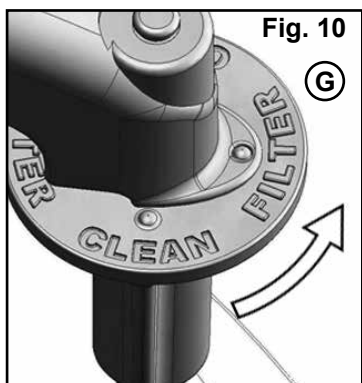
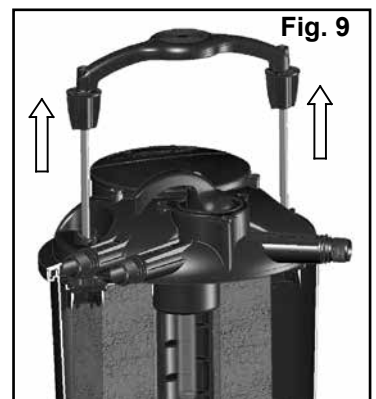
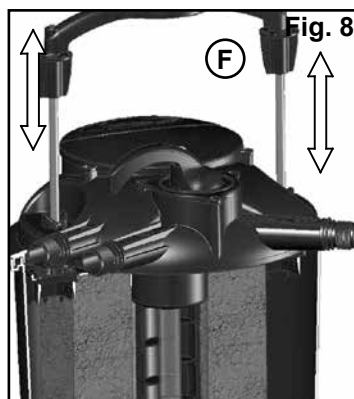
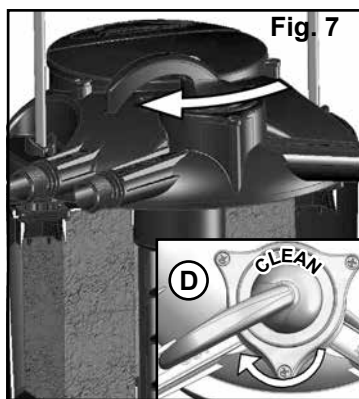
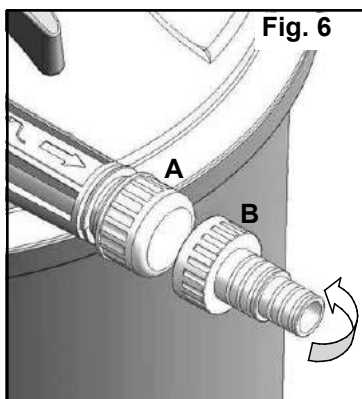
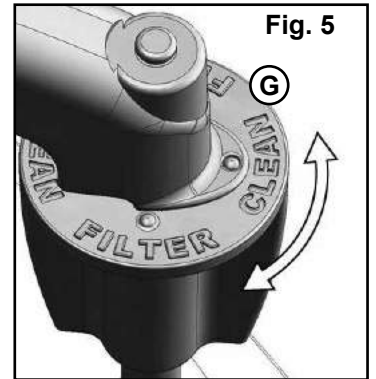
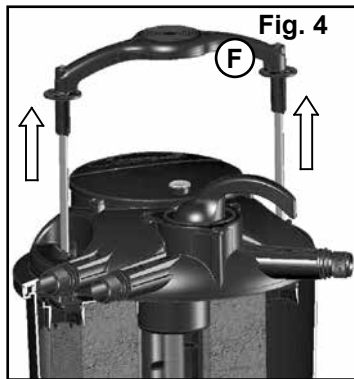
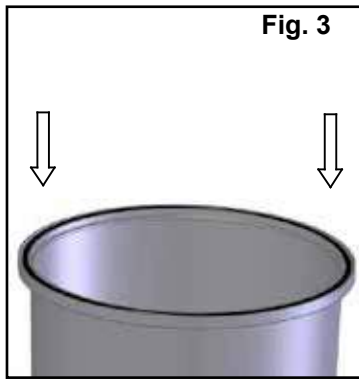
**Instruction manual
25 / 40 / 60 / 100**

EN • DE • FR • I • ES • NL • PT • RU • CZ

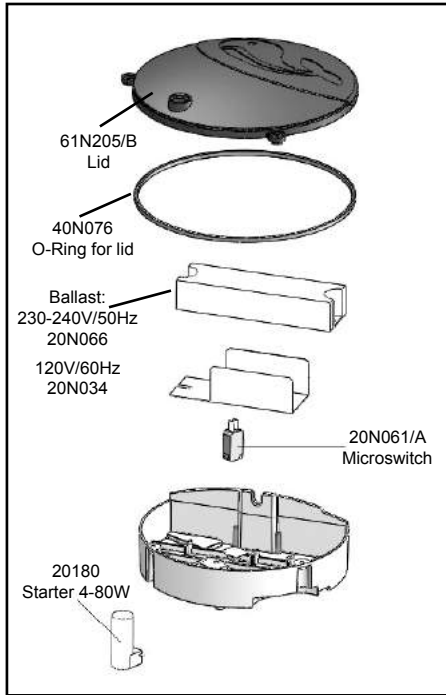
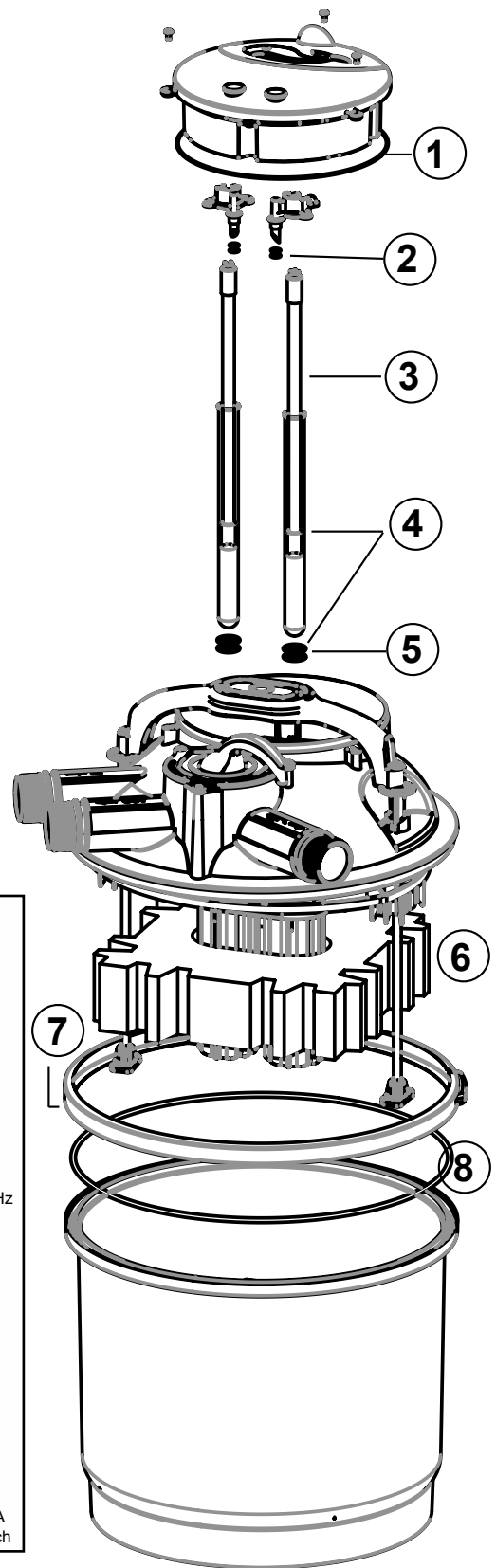
Fig. 1



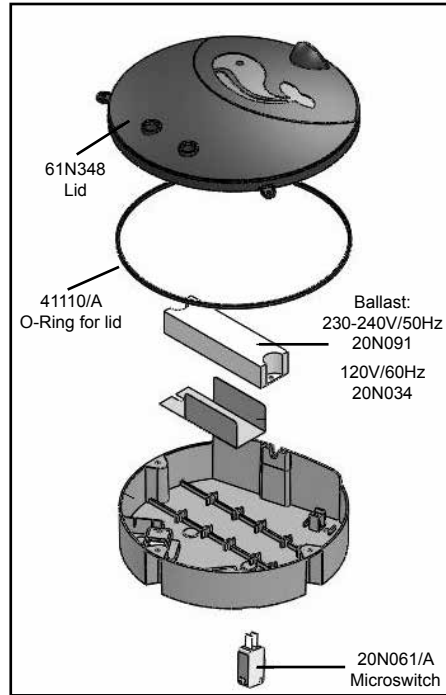
GREEN RESET		25	40	60	100
Protection rate		IP55	IP55	IP55	IP55
Max filter diameter	mm	Ø380	Ø380	Ø502	Ø502
	inch	14,9	14,9	19,7	19,7
Filter Height	cm	46	67	58	783
	inch	18	26,4	22,8	30,7
UV-C lamp	W	10	20	2x20	2x25
Max working pressure	Bar	0,4	0,4	0,4	0,4
	PSI	5,8	5,8	5,8	5,8
Max outlet flow rate	l/h	4000	8000		
	Gph	1056	2113		
N. of sponges	Q.ty	2	4	3	5
N. of bioballs	Q.ty	80	80		
Min/Max Inlet & Outlet hoses diameter	mm	40/32/25	40/32/25	50/38/32	50/38/32
	inch	1.60/1.25/1.00	1.60/1.25/1.00	1.96/1.5/1.26	1.96/1.5/1.26
Filter volume	L.	25	40	60	100
	Gal.	6.6	10.6	15.8	26.4
Suggested hose lenght	m	4	6		
	ft	13,1	19,7		
Suggested pump		Master DW 4000	Master DW 5500	Syncra HF Eko Power 10.0 - 12.0	Syncra HF Eko Power 12.0 - 14.0



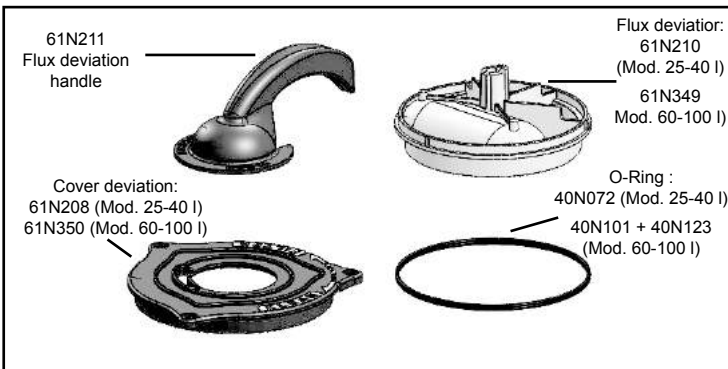
GREEN RESET SPARE PARTS	Fig. 1	25	40	60	100
Ballast cover O-Rings (2 pcs.)	1	SVE0027	SVE0027	SVE0040	SVE0040
Bulb support O-Rings (2 pcs)	2	SVE0028	SVE0028	SVE0028	SVE0028
UV-C lamp	3	SKT0110	SKT0111	SKT0145	SKT0135
Lamp bulb + 2 O-Rings	4+5	SKT0112	SKT0113	SKT0146	SKT0147
O-Rings for lamp bulb	5	SVE0022	SVE0022	SVE0025	SVE0025
Sponge (1 pcs.)	6	SSP0015	SSP0015	SSP0022	SSP0022
Sponge (2 pcs.)	6	SSP0019	SSP0019		
V-band	7	SKT0114	SKT0114	SKT0136	SKT0136
Filter body O-Ring (1 pcs.)	8	SVE0026	SVE0026	SVE0041	SVE0041
Bio-Balls		SPL0059	SPL0059		
Flux deviator handle		SKT0148	SKT0148	SKT0152	SKT0152
UV Starter kit	EU	SKT0160	SKT0161	SKT0155	SKT0156
UV Starter kit	US	SKT0162	SKT0163	SKT0139	SKT0140
UV Starter kit	UK	SKT0164	SKT0165	SKT0141	SKT0142
UV Starter kit	AU	SKT0166	SKT0167	SKT0143	SKT0144




Electrical System Green Reset 25 - 40




Electrical System Green Reset 60 - 100




GREEN RESET VIDEO TUTORIAL QUICK LINKS **FIG. A**



**GREEN RESET
POND FILTER
MAINTENANCE**



**GREEN RESET
UV-C LAMP
MAINTENANCE**



**GREEN RESET
FLOW DIVERTER
MAINTENANCE**

PRESSURIZED FILTERS FOR ORNAMENTAL AND KOI PONDS WITH UV-C STERILIZER

Dear Customer,
thank you for choosing SICCE GREEN RESET, an innovative pressurized filter range with integrated UV-C clarifier and a patented cleaning system which will make easy the pond maintenance in clear and transparent water.

SAFETY INSTRUCTIONS

The GREEN RESET filters have been designed according to the national and international safety rules. Please read carefully the following instructions before using the GREEN RESET filters in order to avoid damages to persons/things.

- 1) **IMPORTANT:** always disconnect the power plug and any other appliances in the pond before touching the water, before any installation or maintenance and even when the appliances are not in use.
- 2) **CAUTION:** The Ultraviolet rays might be dangerous. Never look directly and touch the UV-C Lamp when it is on. This can harm eyes and skin. To check the functioning of the lamp, use the UV-C light indicator **E (Pic. 1)**.
- 3) This product is a filter with built-in UV-C sterilizer for use in ornamental ponds. Do not use the appliance for any other application.
- 4) This product is weatherproof but not submersible. Do not immerse the product in water. If the appliance falls into water do not attempt to recover it. Disconnect immediately the power plug.
- 5) Never use the power cable to lift or move the appliance.
- 6) Do not use the appliance for swimming pools or other application where there might be people into water.
- 7) Do not use the appliance if the power cable or plug are damaged. If the product is damaged it must be replaced by a specialized after sales centre.
- 8) Keep children and disabled persons away from this appliance.
- 9) Do not open the metal V-band **M (Pic. 1)** or lift the filter cover when the pump is working. This may cause a severe hazard.
- 10) The electrical supply must comply with electrical data written in the label of the product.
- 11) If an extension lead is required, make sure it is waterproof.
- 12) **The filter has a maximum working pressure of 0,4 Bar / 5.8 PSI.**
- 13) Before installing the filter, check that the UV-C light bulb has not been damaged during transport. If this is the case, return the filter to the dealer and do not attempt to install it.
- 14) This product has been designed to work with water at a temperature between +4° C / +39.2° F and +35° C / +95° F.
- 15) If the temperature drops below 0° C / 32° F, unplug the power and completely empty the filter. During winter it is better to remove the filter and store it in a sheltered place.
- 16) Do not position the filter in areas liable to flooding or where it may risk to fall into water.
- 17) Never operate the appliance without water.
- 18) Never operate the appliance with liquids different from fresh water.
- 19) Never connect the filter to the hydraulic system.

HOW GREEN RESET FILTERS WORK

GREEN RESET filters has been designed to perform three important stages of filtration, essential to maintaining the pond water clear and healthy:

Mechanical self-cleaning filtration, by special sponges which block all larger impurities or debris. When the sponges are obstructed they can be cleaned by using the handle cleaning system (SICCE PATENT) without opening the filter. We suggest to watch SICCE Tutorial VIDEO in SICCE YOU-TUBE Channel for an immediate understanding (www.youtube.com/user/SICCEspa/videos) (**Pic. A**).
Biological filtration, by special Bio-Balls positioned on the bottom of the filter (included only in mod. GREEN RESET 25-40). Bio-Balls

have a special shape with a wide surface for the deposit of bacteria to help maintaining the water healthy. These special Bio-Balls have to be washed rarely as each wash removes most of the grown bacterial flora. These components are located under a secure grid to preserve the bacteria.

Sterilisation by UV-C rays, granted by the special UV-C lamp included. The water is driven inside the plastic tube where the UV-C lamp is positioned and thanks to the UV lamp's ray the growing of algae is neutralized.

IN DETAIL

The water, passing through the tube which connects the pump to the Inlet of the filter **A (Pic. 1)**, is forced towards the mechanical filtration compartment. A special header distributes the water uniformly over the sponges to ensure maximum efficiency over the whole surface. Then water reaches the grille on the bottom of the filter compartment and the Bio-Balls with bacteria which eliminate any toxic substances. The water is now clean and passes through the UV-C sterilizer inhibiting the algae growth. The water returns to the pond through the outlet **B (Pic. 1)**.

FILTER POSITIONING

The choice where to locate GREEN RESET filter is very important. Carefully follow these information:

- The filter can be placed at ground level or partially buried. In this case the V-band **M (Pic. 1)** must be kept at least 10 cm above ground level.
- Do not cover the filter so to avoid overheating.
- Place the filter on a flat, stable base, in an adequately ventilated area, shaded from direct sunlight.
- Locate the filter vertically at least one meter far from the edge of the pond and make sure it cannot fall into water. Verify that there is enough space around the filter for the cleaning operations.
- Do not make the filter working at pressure over 0,4 bar / 5.8 PSI. Place the filter so that the attacks of the inlet tube **A (Pic. 1)** and outlet **B (Pic. 1)** are already oriented toward the pond in order to avoid useless bends in the connecting pipes.

FIRST INSTALLATION

- Open the V-band **M (Pic. 1)** and lift the filter cover.
- Remove the sponges.
- Remove the grille under the sponges.
- Put the biological filtering material (Bio-Balls) inside on the bottom of the filter paying attention to do not obstruct the central hose (**Pic. 2**). Reposition the grille on the top, fixing it correctly. Then position the sponges.
- Verify that the O-ring in the top groove of the canister is positioned in a proper way (**Pic. 3**).
- Position the filter cover on the gasket and close the filter with the V-band paying attention that the O-ring is still positioned in a proper way. Be careful to do not pinch your fingers or the power cable.
- Connect the inlet and outlet hoses.
- **VERIFY that the flow switch is in the "FILTER" position (Pic. 12).**

CONNECTING THE HOSES

The GREEN RESET filter requires three flexible tubes which are not included.

First one to connect the pump with the inlet coupling **A (Pic. 1)**.
Second one to flush the clean water from the filter outlet **B (Pic. 1)** back to the pond.

Third one to connect the drainpipe **C (Pic. 1)** to eject the dirty water while cleaning the sponges.

This water can be used as fertilizer.

While installing GREEN RESET filter, it is important that the flexible tubes match correctly the diameter of the included hoses. This will allow the pump to reach maximum water flow performances. Always fasten the hoses to the couplings with metal clamps (not included).

After having done the above mentioned operations, please proceed as follows:

- 1) Switch on the pump and let it work for some minutes in order to verify that everything is properly functioning and there are no leaks.
- 2) If the water normally flows through the filter, connect the plug of the UV-C Lamp and verify that it is on through the light indicator **E (Pic. 1)**.
- 3) The filter can work 24 hours/day for the entire year except if the temperature drops below 0° C / 32° F. To avoid damages, unplug it and empty completely the filter.

CLEANING OF THE SPONGES WITH THE SICCE PATENTED SELF CLEANING SYSTEM

GREEN RESET is equipped with a self-cleaning system, that allows to clean the sponges without opening the filter.

Working System:

- Lift completely the handle **F** on the top of the filter (**Pic. 4**).
- Turn both the hand grips **G** from the position "FILTER" to the position "CLEAN" clockwise or anticlockwise until the writing "CLEAN" corresponds to the small hole in the handle (**Pic. 5**).
- Remove the cap **A (Pic. 6)** from the debris outlet, connect the stepped hose connector **B (Pic. 6)** and a flexible tube (not compulsory). Position the tube towards the plants/flowers you would like to fertilize.
- Turn clockwise, with strength, the flow selector handle **D** to the "CLEAN" position (**Pic. 7**).
- Push up and down the top handle **F (Pic. 8)** to squeeze the sponges. Repeat this operation until clean water come out from the filter. When cleaning is completed, refill the pond as you like.
- To settle the filter for normal operation, lift up completely the top handle **F (Pic. 9)**.
- Turn both the hand grips **G** from "CLEAN" position to "FILTER" position (**Pic. 10**).
- Lower completely the top handle **F (Pic. 11)**.
- Turn the flow selector handle **D** anticlockwise to the "FILTER" position (**Pic. 12**).
- Remove the stepped hose connector **B (Pic. 6)** from the debris outlet and close it with the original cap **A (Pic. 6)**.

If the filter, after cleaning operations, is still blocked, proceed with the filter maintenance.

FILTER MAINTENANCE (Cleaning and sponges' replacement)

The maintenance of the filter has to be done only if the self-cleaning system cannot fully clean the sponges because they are worn out or blocked.

CAUTION: Always disconnect the filter from the power supply before any maintenance operations.

Once the filter is unplugged we suggest to disconnect all IN and OUT tubes for an easier and more comfortable maintenance.

- Do not open the V-band **M (Pic. 1)** before having unplugged the pump and UV-C lamp.
- The cap of the UV-C lamp compartment must be opened with care and it is highly recommended to look at the TUTORIAL VIDEO in SICCE Official YOU-TUBE channel (**Pic. A**).
- Open the V-band **M (Pic. 1)**.
- Remove the filter dome with special care to avoid damages to the O-Ring. This should be washed and preferably lubricated (only with silicon grease) before repositioning it.
- Remove the sponges and wash them under fresh water.
- Remove the grille on the bottom of the filter and rinse it out under fresh water.
- Wash Bio-Balls (only in Mod. 25-40) only once a year so to allow the biological filtration not to be interrupted.
- Then reassemble the filter following the above procedures in reverse order.

FILTER MAINTENANCE (UV-C lamp replacement)

For an optimum filter performance, we recommend to replace the UV-C lamp after approx 8000 operating hours.

CAUTION: The replacement of the UV-C lamp can be made by specialized personnel staff or with the support of the TUTORIAL VIDEO in SICCE YOU-TUBE Official channel. In case of damages at the electrical parts or components any repairing actions must be made ONLY by specialized personnel. On page 3 you can find the technical drawings of the electrical parts in detail.

WINTER SEASON

The filter must be protected from frost. During the winter season the filter should be switch off, emptied of all water, removed from the garden and stored in a dry, sheltered place. It is recommended to leave the filter open during storage.

PROPER COMBO FILTER AND PUMP

A chart has been provided to select the right filter and pump combination considering the size, the location of the pond and the quantity of fishes. This chart is a guideline and it is based on SICCE Reports stated with a large scale of test-customers and technical evaluation.



ONLINE HELP

Watch our tutorial videos on THE SICCE YOU TUBE official channel www.youtube.com/SICCEspa.



INSTRUCTIONS FOR THE CORRECT DISCHARGE OF THE PRODUCT ACCORDING TO EU DIRECTIVE 2002/96/EC

When used or broken, the product does not have to be discharged with the other waste. It can be delivered to the specific electric waste collection centers or to dealers who give this service. Discharge separately an electric tool avoid negative consequences for the environment and for the Health and allows to regenerate the materials so to have a great saving of energy and resources.

WARRANTY

This product is guaranteed against defects of materials and workmanship for a period of **3 years** from the date of purchase, except the UV-C lamps and the O-rings. The warranty certificate must be filled in by the dealer and must accompany the pump if it is returned for repair, along with the cash register receipt or similar document. The warranty covers the replacement of the defective parts. In case of improper use, tampering or negligence by the buyer or user, the guarantee is void and expires immediately. The guarantee is also void in absence of the cash register receipt or similar document. The shipping cost to and from the factory, or the repair station, have to be paid by the buyer.

DRUCKFILTER FÜR DEKORATIVE UND KOI TEICHE MIT UV-C WASSERKLÄRER.

Sehr geehrte Kundin / sehr geehrter Kunde,
vielen Dank für gewählt haben GREEN RESET, die neuen Teichfilter mit integrierter UV-C-Lampe. Es garantiert eine hohe Reinigungsleistungen und es ist sehr einfach zu bedienen und zu reinigen! Bitte sorgfältig lesen und speichern Sie die folgenden Anweisungen, um auf die bestmögliche Weise Ihren Filter verwenden.

HINWEISE ZUR SICHERHEIT

Die GREEN RESET Filter entsprechen den nationalen und internationalen gesetzlichen Sicherheitsvorschriften. Um jegliche Sach- und/oder Personenschäden zu vermeiden, müssen die unten angegebenen Sicherheitsnormen beachtet werden.

- 1) **WICHTIG:** Stets den Netzstecker dieses Produkts und aller anderen im Gartenteich vorhandenen Geräte aus der Steckdose ziehen, bevor die Hände ins Wasser getaucht werden, irgendwelche Installierungs- und Wartungsarbeiten ausgeführt werden oder die Geräte nicht benutzt werden.
- 2) **ACHTUNG:** Die UV-Strahlen sind gefährlich. Schauen Sie niemals direkt und berühren Sie die UV-C-Lampe, wenn es eingeschaltet ist. Es könnte die Augen und das Haut beschädigen. Um die Funktion der Lampe zu überprüfen, verwenden Sie die UV-C-Leuchtanzeige **E (Abb. 1)** am Filterkopf.
- 3) Dieses Produkt ist ein Filter mit eingebautem UV-C-Sterilisator, der nur in Gartenteichen eingesetzt werden darf. Das Produkt keinem anderen Gebrauch als dem vorgesehenen zuführen.
- 4) Dieses Produkt widersteht den Witterungseinflüssen, aber es darf nicht eingetaucht werden. Wenn das Gerät ins Wasser fällt, nicht versuchen, es herauszuholen. Sofort den Stecker aus der Steckdose ziehen.
- 5) Das Gerät keinesfalls durch Ziehen am Speisekabel anheben oder verlagern.
- 6) Das Gerät nicht in Schwimmbecken oder sonstigen Einrichtungen, wo sich Personen im Wasser befinden, benutzen.
- 7) Das Gerät nicht benutzen, wenn es Beschädigungen am Kabel oder am Stecker aufweist. Wenn sich das Produkt als beschädigt erweist, muss es von einem spezialisierten Kundendienst-Center ausgewechselt werden.
- 8) Kindern darf der Gebrauch dieses Geräts nicht gestattet werden.
- 9) Den Metallring **M (Abb. 1)** nicht öffnen und den Filterdeckel nicht anheben, wenn die Pumpe in Betrieb ist. Dieser Vorgang kann sich als sehr gefährlich erweisen.
- 10) Der elektrische Anschluss des Geräts muss die auf dem Typenschild des Produkts selbst angegebenen Daten berücksichtigen.
- 11) Falls ein Verlängerungskabel benutzt werden muss, sicherstellen, dass dieses hermetisch dicht ist.
- 12) **Der maximale Betriebsdruck beträgt 0.4 Bar.**
- 13) Vor der Installation des Filters kontrollieren, dass die UV-C-Lampe während des Transports nicht beschädigt wurde. Sollte dies der Fall sein, den Filter zum Händler zurückbringen und nicht versuchen, ihn zu installieren.
- 14) Dieses Produkt wurde für die Behandlung von Wasser mit einer Temperatur von + 4° C bis zu 35° C konzipiert.
- 15) Wenn die Temperatur unter 0° C sinkt, die Stromversorgung abtrennen und den Filter vollständig entleeren. Es ist anzuraten, den Filter im Winter zu entfernen und an einem geschützten Ort unterzubringen.
- 16) Den Filter nicht an Orten mit Überflutungsgefahr oder in Positionen, die das Produkt ins Wasser stürzen lassen könnten, positionieren.
- 17) Das Gerät keinesfalls ohne Wasser benutzen.
- 18) Das Gerät keinesfalls mit anderen Liquiden als Süßwasser benutzen.
- 19) Das Gerät soll niemals mit einer Hydraulische Einbindung eingeleitet werden.

FUNKTIONSPRINZIP DES FILTERS GREEN RESET

Die Filterreihe GREEN RESET wurde ausgearbeitet, um drei wichtige Filtrationsfunktionen zu erfüllen, die von grundlegender Wichtigkeit sind, um das Wasser des Gartenteichs klar und gesund zu halten:

Mechanische Filtrierung - realisiert durch Spezialschwämme, deren Aufgabe es ist, alle gröberen Verunreinigungen zurückzuhalten. Diese Schwämme weisen eine unterschiedliche Porosität auf, um Partikel unterschiedlicher Größe aufhalten zu können. Schauen Sie das Tutorial Video in SICCE You Tube Offizielle Channel: www.youtube.com/user/SICCEspa/videos (**Abb. A**).

SICCEspa/videos (**Abb. A**).

Biologische Filtrierung - Das Wasser erreicht das unten im Behälter befindliche Gitter und trifft auf die Bio-Balls, wo der Kontakt mit den Bakterien erfolgt, die die darin befindlichen giftigen Substanzen zersetzen. Die Komponenten (Bio-Bälle) befinden sich unter einem besonderen Gitter.

Sterilisation mittels UV-C-Strahlen - Diese Funktion wird durch die speziellen, in der Lieferung enthaltenen UV-C Lampen garantiert.

FUNKTIONSYSTEME

Das gesamte Wasser ist während seines Flussverlaufs im Filter dazu gezwungen, einen Kanal zu passieren, in dem diese Lampe vorhanden ist. Diese nur in den Filtern GREEN RESET vorhandene Lösung garantiert eine Leistung des Systems, die anderen Filtern ganz klar überlegen ist. Das Wasser erreicht den Filter über den Einlass **A (Abb. 1)**, der mit einer im Gartenteich vorhandenen Pumpe verbunden ist. Anschließend wird das Wasser durch den mechanischen Filtrationsabschnitt zwangsgelitet. Die Homogenität der vollständigen Ausnutzung der Schwammoberfläche wird durch eine spezielle Leitvorrichtung, die das Wasser auf den gesamten Schwamm verteilt, gewährleistet. An diesem Punkt erreicht das Wasser das unten im Behälter befindliche Gitter und trifft auf die Bio-Balls, wo der Kontakt mit den Bakterien erfolgt, die die darin befindlichen giftigen Substanzen zersetzen. Schließlich erreicht das auf diese Weise gereinigte Wasser den UV-C-Sterilisator, der dank der Wirkung der ultravioletten Strahlen das Wachstum von Algen hemmt. Das Wasser kehrt über den Auslass **B (Abb. 1)** in den Gartenteich zurück.

INSTALLIERUNG UND POSITIONIERUNG DES FILTERS

Es ist wichtig, einen geeigneten Aufstellungsort für den Filter GREEN RESET zu finden, wobei sehr auf die folgenden Informationen geachtet werden muss:

- Das Filter kann am Boden aufliegend oder teilweise in die Erde eingelassen positioniert werden. Im erstgenannten Fall hat man die Möglichkeit, den Filter zu entleeren, nachdem die Pumpe abgetrennt wurde, dank des am Boden des Filterbeckers befindlichen Schraubstopfens. Im zweiten Fall muss man darauf achten, dass der Metallring **M (Abb. 1)** sich mindestens 10 cm über dem Boden befindet.
- Das Filter keinesfalls bedecken, um Überhitzungen zu vermeiden.
- Das Filter auf einer ebenen, stabilen Basis an einem ausreichend belüfteten und vor den UV-Strahlen der Sonne geschützten Ort positionieren.
- Das Filter in einem Abstand von mindestens einem Meter vom Rand des Gartenteichs entfernt positionieren und sicherstellen, dass er nicht ins Wasser fallen kann.
- Das Filter nicht mit einem Druck von mehr als 0.4 bar betreiben. Das Filter keinesfalls an das Wassernetz anschließen. Der Filter so positionieren, dass die Anschlüsse des Einlass **A (Abb. 1)** und des Auslassrohrs **B (Abb. 1)** bereits zum Gartenteich hin weisen, damit vermieden wird, dass die Anschlussrohre unnötige Krümmungen oder Biegungen annehmen müssen.

ERSTINSTALLATION

- Das Metallring **M (Abb. 1)** des Verschlusses öffnen und die Abdeckung mit Druck entfernen.
- Schwämme herausziehen.
- Das Gitter unter den Filterschwämmen herausziehen.
- Das Material für die biologische Filtrierung (Bioball) am Boden des Filters einfüllen, ohne die mittlere Öffnung zu verstopfen (**Abb. 2** - einzige Mod. 25 - 40).
- Die Schwämme wieder ordnungsgemäß einsetzen.
- Prüfen, ob die Dichtung (OR) der Abdeckung ordnungsgemäß angebracht ist (**Abb. 3**).
- Die Filterabdeckung auf den Behälter legen und den Filter mit dem beiliegenden Metallring schließen, dabei darauf achten, dass die Dichtung ordnungsgemäß eingelegt ist.
- Bei diesem Vorgang darauf achten, das Versorgungskabel nicht mit den Händen zu berühren.
- Die Ansaug- und Ausgangsrohre des Filters sorgfältig anschließen und festdrehen.
- **Prüfen, ob der Flussregler in der Position "FILTER" steht (Abb. 12)**

SCHLAUCHANSCHLÜSSE

Für den Filter GREEN RESET werden 3 Schläuche benötigt, die nicht mitgeliefert werden.

Der erste verbindet die Pumpe im Teich mit dem Anschluss **A** für das Wasser, das gefiltert werden soll (**Abb. 1**).

Der zweite verbindet den Ausgang **B** des gefilterten Wassers mit dem Teich selbst (**Abb. 1**).

Der dritte wird an das Abwasserrohr **C** (**Abb. 1**) angeschlossen, wenn die Reinigung der Schwämme durchgeführt wird.

Dieses Wasser kann als Düngemittel verwendet werden.

Bei der Installation des Filters ist es wichtig, Schläuche mit dem richtigen Durchmesser zu verwenden, um eine maximale Wassermenge in der Pumpe zu erhalten.

Die Schläuche dürfen nicht geknickt oder gekrümmt sein.

Die Schläuche mit Sicherheitsschellen (nicht enthalten) befestigen.

Nach Ausführung vorstehender Arbeitsschritte wie folgt vorgehen:

1) Die Pumpe für einige Minuten anschalten, um zu prüfen, ob alles korrekt sitzt und nichts ausläuft.

2) Wenn alles funktioniert und das Wasser gleichmäßig durch den Filter fließt, den Stecker der UV-C-Lampe anschließen und über die Kontrollleuchte **E** (**Abb. 1**) prüfen, ob die UVC-Lampe eingeschaltet ist.

3) Der Filter kann 24 Stunden am Tag betrieben werden, so erfolgt das ganze Jahr über eine konstante Reinigung. Achtung in der Winterzeit: Wenn die Temperatur unter Null Grad fällt, muss der Filter entfernt und vollständig geleert werden.

REINIGUNG DER SCHWÄMME MIT DEM SELBSTREINIGUNGSSYSTEM

Der Filter GREEN RESET verfügt über ein Selbstreinigungssystem für die Schwämme, mit dem diese gereinigt werden können, ohne den Filter zu öffnen. Dabei wie folgt vorgehen:

Reinigungssystem: Wie das funktioniert

- Den Griff (**Abb. 4**) bis zum Anschlag anheben.
- Die beiden Wahlknöpfe **G** "FILTER/CLEAN" (**Abb. 5**) in oder gegen den Uhrzeigersinn drehen, bis die Aufschrift "CLEAN" mit der Öffnung des Griffs übereinstimmt.
- Den Verschluss **A** (**Abb. 6**) vom Abwasserrohr entfernen, den Schlauch mit dem entsprechenden beweglichen Anschluss **B** (**Abb. 6**) an das Abwasserrohr anschließen. Das Rohr auf die Pflanzen richten, die gedüngt werden sollen.
- Den Umstellgriff **D** (**Abb. 7**) mit Druck im Uhrzeigersinn drehen, bis die Aufschrift "CLEAN" erscheint.
- Den Griff **F** drücken, wodurch die Schwämme ausgedrückt werden (**Abb. 8**). Diesen Vorgang wiederholen, bis das Wasser, das aus dem Abwasserrohr kommt, sauber ist. Dieses Reinigungssystem verwendet das Wasser aus dem Teich, daher muss nach Abschluss der Reinigung der Schwämme der Teich auf die gewünschte Höhe aufgefüllt werden.
- Nun den Griff **F** bis zum Anschlag hochziehen (**Abb. 9**).
- Die Wahlknöpfe **G** "FILTER/CLEAN" in oder gegen den Uhrzeigersinn drehen, bis die Aufschrift "FILTER" mit der Öffnung des Griffs übereinstimmt (**Abb. 10**).
- Den Griff **F** bis zum Anschlag herunterdrücken (**Abb. 11**).
- Den Umstellgriff **D** gegen den Uhrzeigersinn drehen, bis die Aufschrift "FILTER" erscheint (**Abb. 12**).
- Den Anschluss **B** für den Gummischlauch (**Abb. 6**) vom Abwasserrohr trennen und den entsprechenden Verschluss **A** aufsetzen (**Abb. 6**).

WARTUNG DES FILTERS (Reinigung und Ersatz der Schwamme)

Wenn der Filter auch nach der Reinigung noch verstopft ist, eine Wartung des Filters durchführen.

ACHTUNG: Das Filter vor Ausführung irgendwelcher Wartungsarbeiten stets von der elektrischen Netzleitung abtrennen.

• Sobald der Filter von der elektrischen Netzleitung abgetrennt wurde, wird empfohlen, das Einlass- und das Auslassrohr des Wassers abzunehmen, um ohne Hindernisse arbeiten zu können.

• Den Metallring **M** (**Abb. 1**) keinesfalls öffnen, bevor die Pumpe abgeschaltet und die UV-C-Lampe abgetrennt wurde.

Der Deckel der UV-C Lampe muss mit Vorsicht geöffnet werden. Es wird empfohlen das Tutorial-Video in SICCE Offizielle You-Tube-Kanal anzuschauen (**Abb. A**).

• Den Filterdeckel **M** entfernen, wobei auf die Dichtung geachtet werden muss (**Abb. 1**).

Diese muss für die anschließende Benutzung gewaschen und möglichst geschmiert werden (nur Silikonfett).

• Die Schwämme entfernen, indem man sie vom Mittelrohr herausnimmt, und unter fließendem Wasser abspülen.

• Schrauben vom Behälterboden entfernen, das Gitter entnehmen und gut unter fließendem Wasser abspülen.

Spülen Sie die Bio-Bälle (Mod. 25-40 L) nur einmal im Jahr, sodass die biologische Filtrierung nicht zerstört werden kann.

Dann in der umgekehrten Reihenfolge den Filterteile wieder anbringen

UV-C LAMPEN ERSETZEN

Für eine optimale Filterleistung sollten Sie die UVC-Lampe nach ca. 8000 Betriebsstunden wechseln.

ACHTUNG! Die UV-C Lampe darf nur bei einem spezialisierten Customer Service ersetzt werden, mit der Hilfe unseren Tutorial Video - SICCE You Tube Offizielle Seite. Bei Schäden an den elektrischen Teile oder Komponenten sollen von Fachpersonal vorgenommen werden. Sehen Sie auf Seite 3 die technischen Zeichnungen der elektrischen Teile.

WINTERZEIT

Das Filter muss vor Frost geschützt werden. Im Winter muss das Geräte ausgeschaltet sein. Das gesamte Wasser im Filter entleeren, das Filter entfernen und trocken und geschützt aufbewahren. Bei der Lagerung sollte das Filter offen sein.

Eine Tabelle wurde bereitgestellt, um den richtigen Filter zu wählen, gemäß die Pumpenkombination unter Berücksichtigung der Größe, die Lage des Teiches und die Menge der Fische. Diese Tabelle ist eine Richtlinie und basiert sich auf Abmessungen, die von SICCE gemacht wurden mit einer breiten Kundenbewertung.



ONLINEHILFE

Schauen Sie unseres Tutorial Video auf dem offiziellen SICCE YOUTUBE Kanal an: www.youtube.com/SICCEspa.



ENTSORGUNG (NACH RL2002/96/EC)

Gerät darf nicht dem normalen Hausmüll beigefügt werden, sondern muss fachgerecht entsorgt werden. Wichtig für Deutschland: Gerät über Ihre kommunale Entsorgungsstelle entsorgen. Entsorgung von Altgeräten: Wenn dieses Symbol eines durchgestrichenen Abfalleimers auf einem Produkt angebracht ist, unterliegt dieses Produkt der europäischen Richtlinie 2002/96/EC. Alle Elektro- und Elektronik-Altgeräte müssen getrennt vom Hausmüll über die dafür staatlich vorgesehenen Stellen entsorgt werden. Mit der ordnungsgemäßen Entsorgung des alten Geräts vermeiden Sie Umweltschäden und eine Gefährdung der persönlichen Gesundheit. Weitere Informationen zur Entsorgung des alten Geräts erhalten Sie bei der Stadtverwaltung, beim Entsorgungsamt oder in dem Geschäft, wo Sie das Produkt erworben haben.

GARANTIE

Wir garantieren für **3 Jahre** ab Kaufdatum (ausschließlich UVC Lampe und O-ring) für fehlerhaftes Material und Fabrikationsfehler. Im Garantiefall schicken Sie bitte das reklamierte Gerät mit der vom Händler ausgefüllten Garantiekarte und der datierten Kaufquittung oder Rechnung zu dem Händler ein. Mangelnde Pflege und unsachgemäße Behandlung haben einen Garantieverlust zur Folge. Die Garantie besteht im Austausch der schadhafte Teile. Die Kosten für Versand und die Rücksendung gehen zu Lasten des Käufers.

Chère Cliente, Cher Client,

nous vous remercions d'avoir choisi GREEN RESET, le nouveau filtre pour bassin intégré avec lampe UV-C. Il garantit de grandes performances de nettoyage tout en étant très facile à utiliser et à nettoyer, grâce à son système breveté! Merci de lire attentivement les instructions suivantes pour utiliser au mieux votre filtre.

NORMES DE SECURITÉ

Les filtres GREEN RESET sont conformes aux normes de sécurité nationales et internationales. Nous vous prions de lire attentivement les notices suivantes avant d'utiliser GREEN RESET afin d'éviter tout risque de blessures ou dommages.

- 1) **ATTENTION:** déconnecter tous les appareils électriques immergés avant une quelconque manutention ou nouvelle installation dans l'eau.
- 2) **ATTENTION:** Les rayons ultraviolets peuvent être dangereux. Ne JAMAIS regardez directement ou toucher la lampe UV-C quand en fonction. Cela peut blesser les yeux et la peau. Pour vérifier le fonctionnement de la lampe, utiliser l'indicateur lumière UV-C **E (Fig. 1)**.
- 3) Ce produit est un filtre équipé de stérilisateur UV-C pour une utilisation dans des bassins d'agrément. Ne pas utiliser l'appareil pour toute autre application.
- 4) Ce produit est imperméable à l'eau mais pas submersible: ne pas l'immerger dans l'eau. Si l'appareil tombe dans l'eau, ne pas tenter de le récupérer. Débrancher-le immédiatement la prise d'alimentation.
- 5) Ne jamais utiliser le câble d'alimentation pour soulever ou déplacer l'appareil.
- 6) Ne pas utiliser l'appareil pour les piscines ou autre application où on y pourrait avoir des gens dans l'eau.
- 7) Ne pas utiliser l'appareil si le câble d'alimentation ou la prise sont endommagés. Si le produit est endommagé, il doit être remplacé par le centre de vente spécialisée.
- 8) Cet appareil n'a pas été conçu pour une utilisation par des personnes (y compris des enfants) ayant une capacité physique, sensorielle ou mentale réduite, sauf en cas de surveillance par une tierce personne responsable de leur sécurité. S'assurer que les enfants ne touchent pas cet appareil.
- 9) Ne pas ouvrir l'anneau métallique **M (Fig. 1)** et ne pas soulever le couvercle du filtre lorsque la pompe est en marche. Cela est très dangereux.
- 10) L'alimentation électrique doit être conforme aux données électriques écrites sur l'étiquette du produit.
- 11) Si une rallonge est nécessaire, s'assurer qu'elle soit étanche (même la connexion).
- 12) **Le filtre a une pression de service maximale de 0,4 Bar. Pressions plus élevées peuvent endommager le produit irrémédiablement.**
- 13) Avant d'installer le filtre, vérifier que l'ampoule UV-C n'a pas été endommagé pendant le transport. Dans ce cas là, ne pas essayer d'installer le filtre et le retourner au revendeur.
- 14) Ce produit a été conçu pour fonctionner avec une température de l'eau entre +4° C et +35° C.
- 15) Si la température descend en dessous de 0° C, débrancher le filtre et le vider complètement. Pendant l'hiver, il est préférable d'enlever le filtre et le stocker dans un endroit abrité.
- 16) Ne pas placer le filtre dans des zones sujettes aux inondations ou où il peut risquer de tomber dans l'eau.
- 17) Ne jamais faire fonctionner l'appareil sans eau.
- 18) Ne jamais faire fonctionner l'appareil avec des liquides différents de l'eau douce.
- 19) Ne jamais raccorder le filtre au système hydraulique.

PRINCIPES DE FONCTIONNEMENT DU FILTRE GREEN RESET

Les filtres GREEN RESET ont été conçus pour accomplir les trois étapes importantes de la filtration, essentielle au maintien d'une eau de bassin claire et saine:

1 - **L'auto nettoyage des masses filtrantes mécaniques** et des éponges spéciales qui bloquent toutes les grosses impuretés et les débris divers. Lorsque les éponges sont engorgées, elles peuvent être nettoyées en utilisant la poignée de nettoyage du système sans

devoir ouvrir le filtre (système BREVETÉ). Nous conseillons de visiter notre canal YouTube pour une meilleure compréhension (www.youtube.com/user/SICCEspa/videos) (**Fig. A**).

2 - **La filtration biologique**, par Bio-Balles spécifiques (fournies seulement dans les modèles GREEN RESET 25-40), positionnées au fond du filtre. Les Bio-Balles ont une structure spéciale avec une grande surface pour la colonisation de bactéries épuratrices, pour aider à maintenir l'eau saine. Ces Bio-Balls spéciales doivent être rincées rarement, car chaque lavage élimine la plupart de la flore bactérienne. Dans la conception du produit, nous avons tenu compte de ce besoin et les Bio-Balles sont situés sous une grille de protection.

3 - **La stérilisation par rayons UV-C**, garantie par la Lampe UV-C à l'intérieur. L'eau à l'intérieur du filtre suit un chemin obligé dans le tube où est positionnée la lampe, laquelle avec ses rayons UV neutralise les algues.

COMMENT ÇA MARCHE

L'eau, à travers le tube qui relie la pompe à l'entrée du filtre **A (Fig. 1)**, est poussée vers le compartiment de filtration mécanique. Une tête spéciale distribue l'eau uniformément sur les éponges pour un maximum d'efficacité sur toute la surface. Puis l'eau atteint la grille sur le fond du compartiment du filtre et les Bio-Balles. Les bactéries y éliminent biologiquement les déchets organiques. L'eau est maintenant propre et passe par le stérilisateur UV-C qui inhibe la croissance des algues et détruit beaucoup de microbes. L'eau retourne à l'étang à travers la sortie **B (Fig. 1)**.

POSITIONNEMENT DU FILTRE

Le choix du positionnement du filtre GREEN RESET est très important. Suivre attentivement ces suggestions:

- Le filtre peut être placé au niveau du sol ou partiellement enterré. Dans ce cas, l'anneau métallique **M (Fig. 1)** doit être conservée au moins 10 cm au-dessus du niveau du sol.
- Ne pas couvrir le filtre afin d'en éviter la surchauffe.
- Placer le filtre sur une base stable, dans un endroit suffisamment ventilé, à l'abri du soleil direct.
- Installer le filtre en vertical à au moins un mètre du bassin, en s'assurant qu'il ne puisse pas tomber dans l'eau. Vérifier que autour du filtre soit présent un espace suffisant pour les opérations d'entretien et nettoyage.
- Ne pas appliquer au filtre une pression supérieure à 0,4 bar (vérifier la pression maximale de la pompe). Placer le filtre de façon que l'entrée **A (Fig. 1)** et la sortie **B (Fig. 1)** de l'eau soient orientées vers le bassin, afin d'éviter que les tuyaux de connexion forment des coudes pas nécessaires.

PREMIÈRE INSTALLATION

- Ouvrir l'anneau métallique **M (Fig. 1)** et soulevez le couvercle du filtre.
 - Retirer les éponges.
 - Retirer la grille sous les éponges.
 - Mettre les Bio-Balles de filtration biologique (seulement modèles GREEN RESET 25-40) dans le fond du filtre, en faisant attention à ne pas colmater le tuyau central (**Fig. 2**). Repositionner la grille et la fixer correctement.
 - Ensuite, positionner les éponges.
 - Vérifier que le joint torique soit positionné de manière appropriée dans la rainure en haut du filtre (**Fig. 3**).
 - Placer le couvercle de filtre sur le joint et fermer le filtre avec l'anneau métallique, faisant attention que le joint torique soit toujours positionné de façon appropriée.
- Faire attention à ne pas pincer vos doigts ou le câble d'alimentation.
- Connecter les tuyaux d'entrée et de sortie.
 - **Vérifier que l'indicateur de débit soit dans la position "FILTER" (Fig. 12)**. Après avoir effectué les opérations susmentionnées, procédez comme suit:

TUYAUX DE RACCORDEMENT DE L'EAU

Le filtre GREEN RESET nécessite de trois tuyaux flexibles qui ne sont pas inclus:

- Un pour brancher la pompe avec le raccord d'arrivée **A** de l'eau à filtrer (**Fig. 1**).
- Le deuxième **B** pour retourner l'eau filtrée et propre dans le bassin (**Fig. 1**).

- Le dernier à connecter à la sortie de drainage **C (Fig. 1)** pour l'eau sale, en occasion du nettoyage des éponges.

Cette eau peut être utilisée comme engrais pour le gazon.

Lors de l'installation du filtre GREEN RESET, il est important que les diamètres des tuyaux flexibles soient correctement dimensionnés. Cela permettra à la pompe d'obtenir des performances maximales par rapport au débit d'eau.

Toujours fixer les tuyaux sur les raccords avec de serre-joint métalliques (non inclus).

Après avoir effectué les opérations ci-dessus, procéder comme suit:
1) Brancher la pompe et attendre pendant quelques minutes afin de vérifier que tout fonctionne et qu'il n'y pas de fuite.

2) Si tout fonctionne et l'eau coule normalement à travers le filtre, branchez la fiche de la lampe UV-C et vérifiez qu'elle fonctionne à travers l'indicateur de lumière **E (Fig.1)**.

3) Le filtre peut travailler 24 heures par jour pendant toute l'année sauf si la température descend en dessous de 0° C. Pour éviter d'endommager le filtre, débranchez-le de la prise et videz-le complètement.

NETTOYAGE DES EPONGES AVEC LE SYSTEME BREVETE D'AUTO LAVAGE GREEN RESET est équipé d'un système breveté d'auto nettoyage, qui permet de nettoyer les éponges sans ouvrir le filtre.

Fonctionnement du nettoyage:

- Soulever complètement la poignée sur le dessus du filtre **F (Fig. 4)** jusqu'au bout.

- Tourner les poignées **G** de la position "FILTRE" à la position "CLEAN" dans le sens horaire ou anti-horaire, jusqu'à ce que l'écriture "CLEAN" corresponde au petit trou dans le manchon **(Fig. 5)**.

- Enlever le bouchon **A (Fig. 6)** de la sortie de l'eau de décharge, connecter le connecteur renforcé **B (Fig. 6)** et un tuyau. Positionner le tuyau vers les plantes / fleurs ou le gazon que vous souhaitez fertiliser.
- Tourner en sens horaire, avec énergie, le sélecteur de débit **D** jusqu'à la position "CLEAN" **(Fig. 7)**.

- Pousser en bas la poignée **F (Fig. 8)** pour écraser les éponges. Répéter cette opération jusqu'à ce que l'eau provenant du filtre sorte claire. Lorsque le nettoyage est terminé, rajouter d'eau dans le bassin jusqu'au niveau souhaité.

- Pour régler le filtre sur la fonction de filtration, soulevez complètement la poignée **F** jusqu'au bout **(Fig. 9)**.

- Tournez les poignées de position **G** "CLEAN" à la position "FILTER" **(Fig. 10)**.

- Baisser complètement la poignée **F (Fig. 11)**.

- Tourner le sélecteur de débit **D** en sens antihoraire à la position "FILTER" **(Fig. 12)**.

- Retirer le connecteur renforcé **B** et le tuyau **(Fig. 6)** de la sortie **A** de décharge et fermer-la avec le bouchon d'origine **(Fig. 6)**.

Si le filtre, après les opérations de nettoyage, est toujours bloqué, procéder à l'entretien du filtre.

ENTRETIEN DU FILTRE (Nettoyage et remplacement des éponges).

La manutention du filtre doit être effectuée lorsque le système d'auto nettoyage n'arrive pas à nettoyer entièrement les éponges, parce qu'elles sont trop usées ou bouchées.

ATTENTION: Débrancher toujours le filtre (et la pompe) de la prise de courant avant toutes opérations de manutention et surtout avant de l'ouvrir.

Une fois le filtre est débranché, nous suggérons de débrancher tous les tubes d'entrée et sortie pour un entretien plus facile et plus confortable.

- Ne pas ouvrir l'anneau métallique **M (Fig. 1)** avant d'avoir débranché la pompe et la lampe UV-C.

- Le bouchon du compartiment de la lampe UV-C doit être ouvert très soigneusement et nous conseillons de consulter avant la vidéo-instruction dans le canal YouTube SICCE officiel (www.youtube.com/user/SICCEspa/videos) **(Fig. A)**.

- Ouvrir l'anneau métallique **M (Fig. 1)**.

- Retirer le couvercle du filtre avec un soin particulier en veillant à ne pas endommager le joint. Celui-ci devrait être lavé et de préférence lubrifié (uniquement avec de la graisse silicone) avant son repositionnement.

- Retirer les éponges et les laver sous de l'eau courante.

- Retirer la grille sur le fond du filtre et rincer-la sous l'eau courante.

- Laver les Bio-balles (seulement dans les modèles 25-40) une fois

par an afin de ne pas interrompre la filtration biologique.

- Remonter ensuite le filtre en suivant ce qui précède dans l'ordre inverse.

ENTRETIEN DU FILTRE (Remplacement de la lampe UV-C)

Pour une performance de filtration optimale, il est nécessaire de remplacer la lampe UVC après environ 8000 heures de service.

ATTENTION: Le remplacement des lampes UV-C peut être fait par personnel spécialisé ou avec le soutien de la vidéo-instruction dans le canal YouTube SICCE officiel (www.youtube.com/user/SICCEspa/videos). En cas de dommages aux pièces ou composants électriques, des actions de réparation DOIVENT être effectués par personnel spécialisé. À la page 3 les dessins techniques des pièces électriques en détail.

SAISON D'HIVER

Le filtre doit être protégé contre le gel. Pendant la saison d'hiver le filtre doit être éteint, vidangé de toute l'eau, retiré du jardin et stocké dans un endroit sec et protégé. Il est recommandé de laisser le filtre ouvert pendant le stockage.

COMBINAISON FILTER - POMPE

Un tableau est fournie pour sélectionner le bon filtre (et la pompe à connecter) compte tenu de la taille, l'emplacement du bassin et la quantité de poissons. Ces valeurs sont indicatifs et basés sur des évaluations techniques et des mesures effectuées par SICCE sur une grande quantité de clients-tests.



SUPPORT EN LIGNE

Regarder nos vidéos-notices sur le canal officiel YOUTUBE SICCE www.youtube.com/SICCEspa.



INSTRUCTIONS POUR LA DÉCHARGE CORRECTE DU PRODUIT SELON L'EU 2002/96/EC DIRECTIF

Une fois utilisé ou cassé, le produit ne doit pas être jeté dans les poubelles domestiques mais dans les conteneurs spécialement prévus pour ce type de produits. Il peut être livré aux centres de rebut électriques spécifiques de collection ou aux distributeurs qui donnent ce service. Décharger séparément un outil électrique évite des conséquences négatives pour l'environnement et pour la santé et permet de régénérer les matériaux pour avoir une grande économie d'énergie et des ressources naturelles.

GARANTIE

Ce produit, à l'exclusion de la lampe et des joints O-Ring, est garanti pendant une période de **3 ans** à compter de la date de l'achat, contre les défauts du matériel et de fabrication. Le certificat de garantie doit être rempli dans toutes ses parties par le revendeur et devra accompagner l'appareil s'il est restitué pour la réparation, avec le ticket de caisse ou autre titre d'achat équivalent. La garantie consiste dans le remplacement des pièces défectueuses. En cas d'utilisation incorrecte, de manipulation ou de négligence de la part de l'acheteur ou de l'utilisateur, la garantie s'annule et perd son effet immédiatement. Egalement, la garantie s'annule en cas d'absence du ticket de caisse ou d'un titre d'achat équivalent. Les frais d'expédition et de renvoi sont à la charge de l'acheteur

Gentile Cliente,
grazie per aver scelto il filtro GREEN RESET di SICCE, un prodotto innovativo dotato di un facile sistema di pulizia (brevettato) e di un efficace sistema di filtrazione che garantisce acque limpide e pulite

AVVERTENZE SULLA SICUREZZA

I filtri GREEN RESET sono stati progettati nel rispetto delle norme nazionali ed internazionali di sicurezza. Al fine di evitare qualsiasi danno a cose e/o persone è opportuno leggere attentamente le seguenti istruzioni.

- 1) **IMPORTANTE:** scollegare sempre la spina dell'alimentazione di questo prodotto e di tutti gli altri apparecchi presenti nel laghetto prima di mettere le mani in acqua e di eseguire qualsiasi intervento di installazione o manutenzione.
- 2) **ATTENZIONE:** i raggi ultravioletti possono essere pericolosi. Non guardare mai direttamente la lampada UV-C quando è accesa perchè può provocare danni agli occhi o alla pelle. Il controllo del funzionamento della lampada va effettuato attraverso l'apposita spia trasparente **E (Fig. 1)**.
- 3) Questo prodotto è un filtro con sterilizzatore UV-C integrato da impiegare solo su laghetti ornamentali. Non usare in applicazioni diverse da quelle previste.
- 4) Questo prodotto è resistente all'azione degli agenti atmosferici ma non è sommergibile. Se il filtro cade accidentalmente in acqua non cercare di recuperarlo mentre è ancora acceso. Staccare subito la spina della corrente.
- 5) Non sollevare o spostare mai l'apparecchio tramite il cavo di alimentazione.
- 6) Non impiegare l'apparecchio in piscine o altri contesti dove siano immerse persone in acqua.
- 7) Non usare l'apparecchio se presenta danneggiamenti al cavo o alla spina. Se il prodotto risulta danneggiato, deve essere sostituito o riparato da un centro assistenza specializzato.
- 8) Il filtro non è stato progettato per l'uso da parte di persone diversamente abili o bambini, tenere fuori dalla loro portata.
- 9) Non aprire l'anello in metallo **M (Fig. 1)** e non alzare il coperchio filtro quando la pompa è in funzione. Questa operazione può risultare molto pericolosa.
- 10) La connessione elettrica dell'apparecchio deve rispettare i dati riportati sull'etichetta dati elettrici del prodotto stesso.
- 11) Se fosse necessario utilizzare una prolunga, assicurarsi che sia a tenuta stagna.
- 12) **La pressione massima di esercizio del filtro è di 0,4 Bar.**
- 13) Prima di procedere all'installazione del filtro, controllare che la lampada UV-C non abbia subito danni durante il trasporto. Se così fosse, riportare il filtro al negoziante per la sostituzione della lampada PRIMA di mettere il filtro in funzione.
- 14) Questo prodotto è stato progettato per trattare acqua a temperatura compresa tra +4° C e +35° C.
- 15) Se la temperatura scende sotto 0° C staccare l'alimentazione e svuotare completamente il filtro. Nel periodo invernale è opportuno rimuovere e sistemare il filtro in un luogo riparato.
- 16) Non collocare il filtro in luoghi soggetti ad allagamenti o in posizioni che permettano al prodotto di cadere in acqua.
- 17) Non utilizzare mai l'apparecchio a secco.
- 18) Non utilizzare questo filtro con liquidi diversi dall'acqua dolce.
- 19) Non connettere mai il filtro alla rete idraulica.

PRINCIPIO DI FUNZIONAMENTO DEL FILTRO GREEN RESET

La gamma di filtri GREEN RESET è stata progettata per raggiungere un elevato livello di filtrazione rendendo l'acqua del laghetto limpida e sana per prolungati periodi di tempo. Il filtro è stato concepito per 3 tipi di filtrazione:

Filtrazione meccanica autopulente, realizzata mediante spugne particolari che hanno il compito di fermare tutte le impurità più grossolane. Quando le spugne si intasano l'utilizzo della maniglia (sistema BREVETTATO di SICCE) posta sul coperchio, consentirà operazioni di pulizia facili e maneggevoli senza richiedere l'apertura del filtro stesso. Si consiglia di guardare il Video Tutorial in SICCE YOU-TUBE per un'immediata comprensione del suo funzionamento

(Fig. A).

Filtrazione Biologica, garantita da speciali Bio-Balls (solo nei modelli GREEN RESET 25-40) che si trovano sul fondo del contenitore filtro. Questi particolari componenti hanno una forma che permette loro di avere una superficie molto ampia per il deposito dei batteri che aiutano a mantenere l'acqua sana. Queste speciali Bio-Balls devono essere pulite molto raramente perchè un lavaggio frequente eliminerebbe gran parte della flora batterica che si è creata.

Nella progettazione del prodotto si è tenuto conto di questa esigenza e questi componenti si trovano sotto una griglia ben fissata.

Sterilizzazione mediante raggi UV-C, questa funzione è garantita dalla speciale lampada UV-C data in dotazione. L'acqua all'interno del filtro segue un percorso forzato che la incanala all'interno del tubo dove è posizionata la lampada che, grazie ai suoi raggi UV, neutralizza le alghe.

COME FUNZIONA

L'acqua è immessa nel filtro attraverso il tubo di entrata **A (Fig. 1)**, che è collegato ad una pompa posizionata nel laghetto, e incontra la prima sessione filtrante caratterizzata dalle spugne. L'omogeneità del completo sfruttamento della superficie della spugna è garantita da uno speciale convogliatore che distribuisce l'acqua su tutta la spugna. Superate le spugne l'acqua raggiunge la griglia posta sul fondo del contenitore e attraverso le Bio-Balls entra in contatto con i batteri sani che scompongono le sostanze tossiche in essa presenti. In ultima fase l'acqua già pulita e filtrata passa attraverso lo sterilizzatore UV-C che con l'azione dei raggi ultravioletti inibisce la crescita delle alghe. L'acqua viene ri-immessa nel laghetto attraverso l'uscita **B (Fig. 1)**

INSTALLAZIONE DEL FILTRO

È importante scegliere un'adeguata collocazione del filtro GREEN RESET prestando molta attenzione alle seguenti informazioni:

- È possibile posizionare il filtro sopra la terra o parzialmente interrato. Nel secondo caso bisogna fare attenzione che l'anello in metallo **M (Fig. 1)** resti almeno 10 cm fuori dal terreno.
- Non coprire mai il filtro per evitare surriscaldamenti.
- Posizionare il filtro su una base piana e stabile, in un luogo sufficientemente areato e protetto dai raggi UV del sole.
- Il filtro deve essere installato verticalmente a non meno di un metro dal bordo del laghetto ed assicurarsi che non possa cadere in acqua. Verificare che attorno al filtro vi sia spazio sufficiente per poter eseguire le operazioni di pulizia e manutenzione.
- Non far funzionare il filtro con pressioni superiori a 0,4 bar. Posizionare il filtro in modo che gli attacchi del tubo di entrata **A (Fig. 1)** e uscita **B (Fig. 1)** - siano già orientati verso il laghetto al fine di evitare di far assumere ai tubi di collegamento curvature o pieghe inutili.

PRIMA INSTALLAZIONE

- Aprire l'anello metallico **M (Fig. 1)** di chiusura e togliere il coperchio con forza.
- Estrarre le spugne.
- Togliere la griglia posta sotto le spugne filtranti.
- Inserire il materiale di filtrazione biologica (Bio-Balls) sul fondo del filtro sotto la griglia senza ostruire il foro centrale (**Fig. 2**).
- Posizionare le spugne in modo corretto.
- Verificare che la guarnizione (OR) del coperchio sia posizionata in modo corretto (**Fig. 3**).
- Posizionare il coperchio filtro sopra il contenitore e chiudere il filtro con l'anello metallico in dotazione verificando sempre che la guarnizione sia posizionata in modo corretto.
- In questa fase fare attenzione a non pizzicarsi le dita o il cavo di alimentazione.
- Collegare in modo preciso e sicuro i tubi di mandata e uscita del filtro.
- **VERIFICARE che il deviatore di flusso sia in posizione "FILTER" (Fig. 12).**

COLLEGAMENTO DEI TUBI

Il filtro GREEN RESET richiede l'utilizzo di tre tubi flessibili non inclusi nella confezione.

Il primo serve per collegare la pompa posta nel laghetto con il raccordo di entrata **A** dell'acqua da filtrare (**Fig. 1**)
Il secondo collega l'uscita **B** dell'acqua filtrata con il fondo del

laghetto stesso (**Fig. 1**)

Il terzo va collegato al tubo di scarico **C (Fig. 1)** per espellere l'acqua sporca quando viene eseguita la pulizia delle spugne. Quest' acqua può essere utilizzata come fertilizzante.

Durante l'installazione del filtro GREEN RESET è importante scegliere tubi flessibili compatibili con i diametri dei raccordi in dotazione, come indicato nella confezione del prodotto. Così facendo si ottiene la massima resa delle pompe in termini di portata di acqua e si evitano pieghe o curvature dei tubi stessi. Assicurarsi di fissare i tubi flessibili con delle fascette fermatubo di sicurezza (non incluse). Dopo aver eseguito le suddette operazioni, procedere come segue:

- 1) Accendere la pompa per qualche minuto al fine di verificare che tutto sia in ordine e non vi siano perdite.
- 2) Se l'acqua scorre attraverso il filtro in modo regolare, collegare la spina della lampada UV-C e verificare attraverso la spia **E (Fig. 1)** che la lampada UV-C sia accesa.
- 3) Per una efficace filtrazione dell' acqua del laghetto, il filtro deve funzionare 24 ore al giorno. Il filtro può lavorare per tutto l'anno facendo attenzione al periodo invernale. Se la temperatura scende sotto lo zero scollegare il filtro e svuotarlo completamente.

PULIZIA SPUGNE CON SISTEMA AUTOPULENTE BREVETTO SICCE

Il filtro per laghetti GREEN RESET è dotato di un sistema autopulente delle spugne, che consente la loro pulizia senza dover aprire il filtro.

Funzionamento:

- Alzare la maniglia **F (Fig. 4)** fino a quando non si blocca.
- Ruotare i due selettori **G "FILTER/CLEAN" (Fig. 5)** in senso orario o antiorario fino a quando la scritta "CLEAN" coincide con il foro della maniglia.
- Togliere il tappo **A (Fig. 6)** dal tubo di scarico impurità, collegare il tubo flessibile con l'apposito raccordo mobile **B (Fig. 6)** e collegarlo al tubo di scarico. Posizionare il tubo verso le piante che si vogliono fertilizzare.
- Ruotare con forza la maniglia **D (Fig. 7)** in senso orario finché non compare la scritta "CLEAN".
- Premere la maniglia **F (Fig. 8)** fino allo schiacciamento delle spugne. Ripetere l'operazione finché l'acqua che fuoriesce dal tubo di scarico sarà pulita. Tale sistema di pulizia utilizza l'acqua del laghetto, quindi una volta finita la pulizia delle spugne riempire il laghetto al livello desiderato.
- A questo punto alzare la maniglia **F (Fig. 9)** fino a quando non si blocca.
- Ruotare i selettori **G "FILTER/CLEAN" (Fig. 10)** in senso orario o antiorario fino a quando la scritta "FILTER" coincide con il foro della maniglia.
- Abbassare la maniglia **F (Fig. 11)** fino a quando non si blocca.
- Ruotare la maniglia **D** in senso antiorario finché non compare la scritta "FILTER" (**Fig. 12**)
- Togliere il raccordo porta-gomma **B (Fig. 6)** dal tubo di scarico e chiuderlo con l'apposito tappo **A (Fig. 6)**.

Se il filtro rimane intasato anche dopo la pulizia delle spugne, procedere con la manutenzione del filtro.

MANUTENZIONE DEL FILTRO (Pulizia e sostituzione spugne)

La manutenzione del filtro viene eseguita solo se il sistema autopulente non è sufficiente per pulire le spugne perché usurate o troppo intasate.

ATTENZIONE: Scollegare sempre il filtro dalla rete elettrica prima di eseguire qualsiasi operazione di manutenzione.

Una volta scollegato il filtro dalla rete elettrica si consiglia di togliere i tubi di entrata e uscita dell'acqua per poter lavorare senza nessun ingombro.

- Non aprire mai l'anello in metallo **M (Fig. 1)** prima di aver staccato la pompa e scollegato la lampada UV-C.
- Il coperchio del vano lampada UV-C e comparto elettrico va aperto con cautela. Si consiglia di guardare il video TUTORIAL su SICCE-YOU TUBE (**Fig. A**).
- Aprire l'anello di tenuta metallico **M (Fig. 1)**.
- Rimuovere il coperchio filtro facendo attenzione alla guarnizione di tenuta. Questa deve essere lavata e possibilmente ingrassata (solo grasso silconico) per l'utilizzo successivo.
- Rimuovere le spugne e lavarle sotto acqua corrente o sostituirle.
- Rimuovere la griglia sul fondo del bicchiere filtro e lavarla bene sotto acqua corrente.
- Il materiale denominato "Bio-ball" (solo nei Mod. 25-40) posto sotto

la griglia è necessario per la filtrazione biologica e si raccomanda di pulirlo solo una volta all'anno.

- Rimontare il filtro seguendo le operazioni sopradescritte in modo inverso.

MANUTENZIONE DEL FILTRO (Sostituzione lampada UV-C)

Per avere una potenza di filtraggio ottimale si consiglia di cambiare la lampada UV-C dopo ca. 8000 ore di funzionamento.

ATTENZIONE: La sostituzione della lampada UV-C può essere eseguita da personale specializzato o con l'ausilio del Video TUTORIAL su SICCE YOU-TUBE. La riparazione di eventuali danni all'apparato elettrico è SOLAMENTE a carico di personale specializzato. A pagina 3 riportiamo i disegni tecnici della parte elettrica.

PERIODO INVERNALE

Il filtro va protetto dal ghiaccio. Durante la stagione invernale l'apparecchio va spento. Togliere tutta l'acqua presente nel filtro, rimuoverlo e sistemarlo in un luogo riparato e asciutto. Si consiglia di tenere aperto il filtro durante lo stoccaggio.

COMBINAZIONE FILTRO - POMPA

Viene fornita una tabella che permette di individuare il corretto abbinamento filtro e pompa in rapporto alle dimensioni del laghetto e del numero di pesci in esso contenuto. Questi valori sono indicativi e redatti sulla base di rilevamenti fatti da SICCE presso un campione significativo di laghetti, e di analisi di laboratorio fatte sui campioni di acqua prelevati dai laghetti testati.



ASSISTENZA

Vi consigliamo di prendere visione dei nostri video Tutorial a supporto dell'installazione e manutenzione dei prodotti, disponibili nel canale ufficiale www.youtube.com/SICCEspa.



AVVERTENZE PER IL CORRETTO SMALTIMENTO DEL PRODOTTO AI SENSI DELLA DIRETTIVA EUROPEA 2002/96/EC

Alla fine della sua vita utile, il prodotto non deve essere smaltito insieme ai rifiuti urbani. Può essere consegnato presso gli appositi centri di raccolta differenziata predisposti dalle amministrazioni comunali, oppure presso i rivenditori che forniscono questo servizio. Smaltire separatamente un elettrodomestico consente di evitare possibili conseguenze negative per l'ambiente e per la salute favorendo il recupero dei materiali ed un importante risparmio energetico.

GARANZIA

Questo prodotto, con l'esclusione delle lampade e delle guarnizioni O-Ring, è garantito per un periodo di **3 anni** dalla data di acquisto, da difetti di materiale e lavorazione. Il certificato di garanzia deve essere compilato in ogni sua parte dal rivenditore, e dovrà accompagnare l'apparecchio, nel caso in cui venga restituito per la riparazione, assieme allo scontrino fiscale o equivalente. La garanzia consiste nella sostituzione delle parti difettose qualora non siano stati rilevati uso improprio, manomissione o negligenza da parte dell'acquirente o utente rendendo nulla la garanzia con decadenza immediata. La garanzia è inoltre nulla in caso di mancanza dello scontrino fiscale d'acquisto o equivalente. Le spese di spedizione e rinvio sono a carico dell'acquirente.

FILTRO "GREEN RESET" PARA ESTANQUES CON LÁMPARA UV-C INTEGRADA

Gentil cliente,

gracias por haber elegido GREEN RESET, el nuevo filtro para estanques con lámpara UV-C incorporada, que garantiza una máxima y eficaz higiene del estanque. Tanto su uso como así también la limpieza del mismo son muy fáciles de realizar!. Por favor, conserve este manual en un lugar seguro y antes de usar el filtro lea atentamente Este manual de instrucciones para una correcta y mejor utilización del mismo.

NORMAS DE SEGURIDAD

Los filtros GREEN RESET son conforme con las normas de seguridad nacionales e internacionales. Con la finalidad de evitar cualquier tipo de daño a personas o cosas le aconsejamos de seguir las siguientes normas de seguridad que se detallan a continuación:

- 1) **IMPORTANTE** desenchufar el filtro y los demás aparatos presentes en el estanque antes de introducir las manos dentro del agua, en caso de ser necesaria cualquier operación de instalación y/o mantenimiento, o bien, cuando los mismos no estén en funcionamiento.
- 2) **¡CUIDADO!** LA RADIACIÓN ULTRAVIOLETA PUEDE SER MUY PELIGROSA. Nunca observar o tocar la lámpara UV-C cuando la misma está encendida, ya que esta acción podría provocar lesiones en los ojos y/o en la piel. El correcto funcionamiento de la lámpara deberá siempre ser controlado a través del indicador transparente específico **E (Fig. 1)**.
- 3) Este producto es un filtro con esterilizador UV-C incorporado y debe ser utilizado solamente en estanques ornamentales. El producto no es apto para ser usado en cualquier otro modo que no sea el indicado por el fabricante.
- 4) El producto es resistente a la acción de los agentes atmosféricos pero no puede ser sumergido en el agua. Evitar siempre Este tipo de situación. En caso de que el mismo pudiera haber caído accidentalmente dentro del agua, no tratar de recuperarlo y desenchufarlo inmediatamente.
- 5) No sujetar nunca el aparato por el cable de alimentación eléctrica en caso de que sea necesario levantar y/o trasladar el mismo.
- 6) No emplear el aparato en piscinas o bien contextos similares, en los cuales, se encuentren personas sumergidas en el agua.
- 7) No utilizar el aparato en caso se verifique que el cable de alimentación eléctrica o bien el enchufe resulten dañados. Si el producto presenta algún tipo de daño, se aconseja dirigirse al centro de asistencia especializado mas cercano para su eventual sustitución y/o reparación.
- 8) El filtro no ha sido proyectado para ser usado por personas discapacitadas o niños, por lo cual, se recomienda mantener el producto fuera del alcance de los mismos.
- 9) No abrir nunca el anillo metálico **M (Fig. 1)** ni levantar la tapa superior del filtro cuando la bomba está en funcionamiento. Esta acción podría resultar muy peligrosa.
- 10) Antes de conectar el aparato a la corriente eléctrica asegurarse siempre que el valor de tensión CA nominal, coincida con el de la red eléctrica local (ver etiqueta específica sobre el aparato).
- 11) En caso se tuviese que utilizar un alargue para conectar a la corriente eléctrica el aparato, asegurarse siempre que el mismo pueda ser resistente al agua.
- 12) **La presión máxima de trabajo del filtro es de 0,4 Bar.**
- 13) Antes de proceder a la instalación del filtro, controlar que la lámpara UV-C no haya sufrido danos durante el transporte del aparato. En este caso, aconsejamos retornar el mismo al vendedor y no intentar instalarlo.
- 14) El producto ha sido diseñado para operar con agua en un rango de temperatura entre +4° C y +35° C.
- 15) En caso de que la temperatura del agua descienda por debajo de 0° C desconectar inmediatamente el filtro de la corriente eléctrica y vaciarlo completamente. Durante el periodo invernal, aconsejamos desinstalar el aparato y mantenerlo en un lugar convenientemente protegido y seco.
- 16) No instalar nunca el filtro en lugares con riesgo de inundación o bien en una posición peligrosa, por la cual, corra el riesgo de caer dentro del agua.
- 17) No operar nunca el aparato sin flujo de agua.
- 18) No operar nunca el filtro con un líquido diferente al agua dulce.
- 19) No intentar nunca conectar el filtro a la red hidráulica.

PRINCIPIO DE FUNCIONAMIENTO DEL FILTRO

La gama de filtros GREEN RESET han sido diseñados para realizar tres tipos de filtración, esenciales todas ellas, para mantener el agua del estanque siempre limpia y libre de impurezas.

Filtración Mecánica: Proceso realizado mediante esponjas particulares que tienen la función de filtrar y retener todas impurezas mas grandes presentes en el agua. Cuando las mismas se encuentran obstruidas se pueden limpiar fácilmente a través de un mecanismo de "auto

limpieza a manijas" (Sistema PATENTADO de SICCE), el cual una vez activado, permite su limpieza sin la necesidad de tener que abrir el filtro. Es recomendable ver el Video Tutorial en SICCE You-Tube para una comprensión inmediata de su funcionamiento (**Fig. A**).

Filtración Biológica: Garantizada por las "Bio-Balls" (sólo modelos GREEN RESET 25-40) que son componentes especiales que se encuentran en la parte inferior del filtro y que por su particular estructura geométrica y debido a su amplia superficie, aseguran que sobre ellas se pueda depositar y retener la flora bacteria presente en el agua, con el fin de mantener la misma siempre biológicamente saludable. Además, Estos especiales componentes deber ser limpiados muy raramente, dado que en cada ciclo de lavado, es eliminado cualquier residuo bacteriológico presente sobre ellas.

Durante la proyectación de este producto fue considerada esta exigencia, por lo cual, las "Bio-Balls" se encuentran protegidas debajo de una grilla específica y bien fijada en el interior del filtro.

Esterilización del agua mediante los rayos UV-C: esta función es garantizada por la específica lámpara de rayos UV-C incluida con el filtro. Durante su recorrido, toda el agua pasa a través de un tubo en contacto directo con dicha lámpara esterilizante.

CÓMO FUNCIONA

El agua ingresa al filtro a través del específico tubo de entrada **A (Fig. 1)** que esta conectado a la bomba colocada en el estanque, sucesivamente, el agua pasa a través de la sección de filtración mecánica, la misma entonces es distribuida en forma uniforme sobre toda la superficie de las esponjas filtrantes, Esto garantizado a través de un específico dispositivo derivador. Luego el agua atraviesa la grilla colocada en la parte inferior del filtro, en consecuencia, la misma entra en contacto con las "Bio-Balls", que descomponen las sustancias nocivas o toxicas presentes en ella. Al final del proceso, el agua ya limpia atraviesa el esterilizador UV-C que gracias a la acción de los rayos ultravioleta inhibe el crecimiento de algas en la misma; y sucesivamente, regresa al estanque a través del tubo de salida **B (Fig. 1)**.

INSTALACIÓN DEL FILTRO

Es siempre importante elegir una adecuado posicionamiento del filtro GREEN RESET, por lo cual, aconsejamos seguir atentamente las siguientes indicaciones:

- Es posible posicionar el filtro sobre la tierra firme o bien parcialmente enterrado. En el segundo caso se necesitará siempre prestar atención que el anillo metálico **M (Fig. 1)** permanezca visible (almeno 10 cm. por encima del nivel del terreno).
- No cubrir nunca el filtro para evitar el posible sobrecalentamiento del mismo.
- Posicionar siempre el filtro sobre una base plana y estable, en un lugar suficientemente aereado, y protegido de los rayos UV del sol.
- El filtro debe ser instalado verticalmente y a no menos de un metro del borde del estanque asegurando siempre que no pueda caer dentro del agua. Verificar que alrededor del filtro se disponga de un espacio suficiente para poder operar el mismo adecuadamente.
- Nunca hacer funcionar el filtro con una presión de agua superior a 0,4 bar. Posicionar el filtro convenientemente en modo que los respectivos conectores de los tubos de entrada **A (Fig. 1)** y salida **B (Fig. 1)** del mismo estén siempre orientados hacia el estanque, evitando así, posibles torsiones innecesarias y riesgosas en toda la tubería de conexión del mismo.

INSTALACIÓN INICIAL DEL FILTRO

- Abrir el anillo metálico **M** de cierre (**Fig. 1**) y quitar con fuerza la tapa superior del filtro.
- Extraer las esponjas filtrantes.
- Quitar con cuidado la grilla colocada debajo de las esponjas filtrantes.
- Introducir y distribuir los componentes de filtración biológica "Bio-Balls" dentro de la cesta plástica (en el fondo) y por debajo de la grilla prestando atención de no obstruir el orificio central (**Fig. 2**).
- Reposicionar las esponjas adecuadamente.
- Insertar la guarnición de goma (OR) de la tapa superior del filtro correctamente (**Fig. 3**).
- Volver a colocar cuidadosamente la tapa del filtro y cerrar la misma con el anillo metálico, controlando siempre la correcta inserción de la guarnición de goma.
- En Esta fase de la instalación, prestar particular atención a no provocar danos al cable de alimentación eléctrica, como así también, a posibles lesiones en las manos durante las operaciones de montaje o desmontaje de las partes componentes del filtro.
- Conectar adecuadamente y fijar bien las mangueras de aspiración y salida del agua.
- **VERIFICAR que el derivador de flujo de agua se encuentre en**

posición "FILTER" (Fig. 12).

CONEXIÓN DE LAS MANGUERAS

El filtro GREEN RESET requiere la utilización de 3 mangueras flexibles (no incluidas en la confección).

La primera conecta la bomba colocada en el estanque al tubo de entrada **A** del agua que debe ser filtrada (Fig. 1).

La segunda conecta el tubo de salida **B** del agua ya filtrada con el estanque (Fig. 1).

La tercera por su parte se debe conectar al tubo de desagote **C** del agua sucia (Fig. 1) que surge luego del proceso de limpieza de las esponjas filtrantes. Dicha agua además puede ser utilizada como fertilizante! Es importante en la instalación del filtro, que se puedan elegir mangueras con una buena flexibilidad y un adecuado diámetro, para permitir que pase el máximo caudal de agua a través de ellas, y al mismo tiempo, poder evitar así, el riesgo de posibles torsiones a lo largo de las mismas.

Asegurarse de fijar bien las mangueras a los tubos conectores del filtro con específicas bandas metálicas de seguridad (no incluidas en la confección). Después de haber efectuado las operaciones precedentes se debe proceder de la siguiente forma:

- 1) Encender la bomba por algunos minutos con el fin de verificar que todo funciona correctamente y no se detectan pérdidas de agua.
- 2) En caso de que todo funcione en manera correcta el agua debe fluir a través del filtro en modo regular, enchufar entonces la lámpara UV-C y verificar a través del específico indicador transparente **E** (Fig. 1), si la misma se ha encendido.
- 3) El filtro puede funcionar 24 horas por día durante todo el año efectuando una constante manutención del mismo. Prestar atención durante el periodo invernal si la temperatura externa desciende por debajo de 0° C, en tal caso, desenchufar inmediatamente el filtro y vaciarlo completamente.

SISTEMA AUTOLIMPIANTE DE LAS ESPONJAS

El filtro GREEN RESET está dotado de un sistema autolimpiante de las esponjas filtrantes, el mismo, permite la limpieza de ellas sin la necesidad de proceder a la apertura del filtro.

Se debe proceder de la siguiente manera:

- Levantar la manija **F** (Fig. 4) hasta que la misma se bloquee.
- Rotar los dos selectores **G** "FILTER/CLEAN" (Fig. 5) en sentido horario o bien antihorario hasta que la inscripción "CLEAN" coincida con el orificio visible sobre la manija.
- Extraer el tapón **A** (Fig. 6) del tubo de desagote del agua sucia, sucesivamente, conectar la manguera flexible a dicho tubo con ayuda de la específica rosca de fijación móvil **B** (Fig. 6), y por último, orientar el chorro de agua en dirección a aquello que se desee fertilizar (ej. plantas, terreno, etc.).
- Rotar con fuerza la manija derivadora **D** (Fig. 7) en sentido horario hasta que aparezca la inscripción "CLEAN".
- Presionar hacia abajo la manija **F** oprimiendo las esponjas filtrantes (Fig. 8). Repetir Esta operación hasta que el agua que sale del tubo de desagote pueda notarse limpia. Este sistema de limpieza de las esponjas utiliza el agua proveniente del estanque, por lo cual, al finalizar el proceso de limpieza se deberá llenar de agua nuevamente el mismo hasta el nivel deseado.
- Finalizado todo el proceso, levantar nuevamente la manija **F** (Fig. 9) hasta que la misma se bloquee.
- Rotar los selectores **G** "FILTER/CLEAN" en sentido horario o bien antihorario hasta que la inscripción "FILTER" coincida con el orificio visible sobre la manija (Fig. 10).
- Bajar la manija hasta que la misma se bloquee (Fig. 11).
- Rotar la manija derivadora en sentido antihorario hasta que aparezca la inscripción "FILTER" (Fig. 12).
- Desconectar la manguera extrayendo la rosca de fijación al tubo de desagote **B** (Fig. 6) y cerrar el mismo con el tapón específico **A** (Fig. 6).
- En caso de que el filtro resulte todavía obstruido incluso luego de haber limpiado las esponjas, proceda con la manutención del aparato.

MANTENIMIENTO DEL FILTRO (Limpieza y sustitución esponjas)

La manutención del filtro debe ser efectuada sólo si el sistema autolimpiante no está mas en condiciones de limpiar correctamente las esponjas filtrantes, dado que las mismas se encuentran ya muy desgastadas o bien demasiado obstruidas.

CAUIDADO! Desconectar siempre el aparato de la corriente eléctrica antes de efectuar cualquier operación de manutención.

• Una vez desconectado el filtro de la red eléctrica se aconseja de extraer totalmente los tubos de ingreso, salida y desagote del agua para poder así efectuar cómodamente todas las operaciones requeridas.

• No abrir nunca el anillo metálico **M** (Fig. 1) antes de haber desconectado la bomba y la lámpara UV-C.

La tapa del compartimiento en el cual se encuentra la lámpara UV-C y de la parte eléctrica del filtro se debe abrir con precaución. Aconsejamos ver el Video TUTORIAL SICCE-YOU TUBE (Fig. A).

- Abrir el anillo metálico de fijación **M** (Fig. 1)
- Extraer la tapa superior del filtro prestando atención a la guarnición de goma (OR). Esta debe ser lavada y preferentemente engrasada (utilizar sólo grasa siliconada) antes de ser nuevamente utilizada.
- Extraer las esponjas filtrantes y lavarlas bien con agua corriente o bien sustituirlas por otras nuevas.
- Extraer la grilla posicionada en la parte inferior del cesto del filtro y proceder al respectivo lavado de la misma con agua corriente.
- Se aconseja también de limpiar las "Bio-Balls" (sólo en los modelos 25-40) una vez al año con el fin de no interrumpir la filtración biológica.
- Por último, volver a ensamblar el filtro siguiendo los pasos previamente mencionados pero en manera inversa.

MANTENIMIENTO DEL FILTRO (reemplazo de la lámpara UVC)

Para una potencia de filtraje óptima se debe cambiar la lámpara UVC después de aprox. 8000 horas de servicio.

ATENCIÓN: La sustitución de lámparas UV-C se debe realizar por un especialista o con el apoyo de la del vídeo en el canal oficial YouTube de SICCE (www.youtube.com/user/SICCEspa/videos). En caso de daños en las partes o componentes eléctricos, las acciones de reparación debe ser realizada SOLO por personal especializado. En la página 3 dibujos técnicos de las partes eléctricas en detalle.

PRECAUCIONES DURANTE EL PERIODO INVERNAL

El filtro debe ser protegido de un posible congelamiento (formación de hielo en cualquiera de sus partes internas o externas), por Este motivo, aconsejamos durante el periodo invernal mantener el aparato apagado, extraer toda el agua presente dentro el mismo, removerlo y colocarlo en un lugar bien protegido y seco. Preferentemente mantenerlo abierto mientras no es usado.

COMBINACIÓN FILTRO - BOMBA

Los datos son indicativos y se basan en pruebas y evaluaciones de SICCE. No proporciona indicaciones absolutas de que os mismos dependem de varios factores ambientales y de temperatura.



AYUDA ON-LINE

Vea nuestros videos tutoriales en el canal oficial de YOU TUBE de SICCE: www.youtube.com/SICCEspa.



INSTRUCCIONES PARA DESHACERSE DEL PRODUCTO DE ACUERDO CON LA DIRECTIVA EUROPEA 2002/96/EC

Si en un producto aparece el símbolo de un contenedor de basura tachado, significa que éste se acoge a la Directiva 2002/96/EC. Todos los aparatos eléctricos o electrónicos se deben desechar de forma distinta al servicio municipal de recogida de basuras, a través de los puntos de recogida designados por el gobierno o las autoridades locales. La correcta recogida y tratamiento de los dispositivos inservibles contribuye a evitar riesgos potenciales para el medio ambiente y la salud pública. Para obtener más información sobre cómo deshacerse de sus aparatos eléctricos y electrónicos viejos, póngase en contacto con su ayuntamiento, el servicio de recogida de basuras o el establecimiento donde adquirió el producto.

GARANTÍA

Este producto, excepto la lámpara UV-C y los O-RING, está garantizado por un período de **3 años**, a partir de la fecha de compra, contra defectos de materiales y fabricación. El certificado de garantía debe ser cumplimentado debidamente por el vendedor, y se entregará junto a la bomba en caso de entregarla para ser reparada, junto con el recibo de la compra o equivalente. La garantía cubre la sustitución de las piezas defectuosas. En caso de uso impropio, manipulación indebida o negligencia por parte del comprador o del usuario, la garantía se anulará y perderá su validez inmediatamente. Asimismo, la garantía se anulará en el caso de que falte el recibo de compra o equivalente. Los gastos de envío, a y desde la fábrica, o el taller de reparaciones, correrán a cargo del comprador.

Geachte klant

bedankt dat u heeft gekozen voor de SICCE GREEN RESET het is een innovatieve lijn drukfilters met geïntegreerde UV-C Lamp en gepatenteerd uniek schoonmaakstelsel garandeert het gehele jaar helder water. GREEN RESET voldoet aan de nationale en internationale veiligheid normen. Ter voorkoming van schade aan zaken en/of personen adviseren we dringend om de vermelde veiligheidsnormen in acht te nemen.

VEILIGHEIDSINSTRUCTIES

- 1) **BELANGRIJK:** koppel altijd de voedingsstekker van dit product los en van alle andere in de vijver aanwezige apparaten alvorens de handen in het water te steken en alvorens enige installatie- of onderhoudswerkzaamheden te verrichten, ook wanneer de apparaten niet in gebruik zijn.
- 2) **LET OP:** de ultraviolette stralen zijn gevaarlijk. Nooit in de UV-C lamp kijken wanneer deze is aangezet. Dit kan schade veroorzaken aan de ogen of aan de huid. Om de werking van de lamp te checken moet het doorzichtige controlelampje **E** worden gebruikt (**Afb. 1**).
- 3) Dit product is een filter met een geïntegreerde UV-C sterilisator dat alleen voor siervijvers mag worden gebruikt. Dit product niet toepassen voor andere gebruikdoeleinden dan waarvoor het is bestemd.
- 4) Dit product is bestand tegen weersinvloeden, maar niet waterproof. Dit product moet absoluut niet in water worden gedompeld. Wanneer het toestel in het water valt probeer dan niet om het op te vissen. Trek onmiddellijk de stekker uit het stopcontact.
- 5) Het apparaat nooit aan de voedingskabel optillen of verplaatsen.
- 6) Het apparaat niet gebruiken in zwembaden of in een andere context waar personen zich in het water bevinden.
- 7) Het apparaat niet gebruiken wanneer de kabel of de stekker beschadigd is. Als het product schade vertoont moet het door een gespecialiseerd servicecentrum worden vervangen.
- 8) Het filter is niet geschikt voor minder bekwame personen of kinderen, houdt het daarom buiten hun bereik.
- 9) De metalen ring **M** mag niet worden geopend (**Afb. 1**) en het filterdeksel mag niet worden opgetild als de pomp in werking is. Dit kan een ernstig gevaar opleveren.
- 10) De elektrische aansluiting van het apparaat moet in overeenstemming zijn met de elektrische gegevens op het etiket van het product zelf.
- 11) Indien nodig een verlengsnoer gebruiken en controleren of deze waterdicht is.
- 12) **De maximale bedrijfsdruk van de filter is 0,4 bar.**
- 13) Alvorens de filter te installeren, controleren of de UV-C lamp tijdens het transport geen schade heeft opgelopen. Indien dit het geval is, de filter naar de winkel terugbrengen en niet proberen om deze te installeren.
- 14) Dit product is ontworpen voor de behandeling van water met een temperatuur tussen +4° C en +35° C.
- 15) Wanneer de temperatuur beneden 0° C komt dan de stroom uitschakelen en het filter volledig legen. In de winter is het beter om het filter te verwijderen en op een beschutte plaats op te bergen.
- 16) De filter niet opstellen op plaatsen die onder water kunnen lopen of waar het product in het water kan vallen.
- 17) Het toestel mag nooit worden gebruikt zonder water.
- 18) Het filter mag niet worden gebruikt met andere vloeistoffen dan zoet water.
- 19) Het filter mag nooit worden aangesloten op het hydraulische systeem.

WERKPRINCIPES VAN DE FILTER

GREEN RESET filters zijn ontworpen voor het uitvoeren van drie belangrijke filtratiefuncties, essentieel om het vijverwater helder en gezond te houden:

Mechanische Filtratie, middels speciale sponzen die alle grotere onzuiverheden of vuil blokkeren. Zodra de sponzen dichtslibben moeten ze schoongemaakt worden middels het gepatenteerd en uniek

schoonmaakstelsel, zonder de filter te openen (SICCE PATENT). Wij adviseren om de instructie video te bekijken op het SICCE YOU-TUBE Kanaal (www.youtube.com/user/SICCEspa/videos) (**Afb. A**).

Biologische filtratie: middels Bio-Ballen (Mod. 25-40), die onder in de filter aanwezig zijn. Deze hebben een speciale structuur met een zeer groot oppervlak om goede bacteriën op te slaan die het water gezond helpen te houden. Deze speciale Bio-Ballen moeten bij hoge uitzondering worden gereinigd aangezien bij iedere wasbeurt het grootste deel van de gevormde bacterieflora verwijderd wordt. Deze componenten (Bio-Ballen) bevinden zich onder een rooster om de goede bacteriën te bewaren.

Sterilisatie middels UV-C straling, deze speciale UV-C lamp is standaard aanwezig. Het water dat door de filter wordt gepompt moet voorbij de plastic buis waar de UV-C lamp bevestigd is, de straling van de lamp neutraliseert de groei van algen.

IN DETAIL

Het water bereikt het filter via de waterinlaat **A** (**Afb. 1**) die verbonden is met een pomp die in de vijver opgesteld staat, vervolgens moet het water naar de mechanische filtratiekamer stromen. Een speciale loopband verdeelt het water gelijkmatig over de filtermatten om een maximaal gebruik van de hele oppervlakte te garanderen. Dan bereikt het water het rooster op de bodem van het filtercompartiment en de Bio-Ballen met de goede bacteriën, die alle aanwezige giftige substanties ontbinden. Tenslotte gaat het gereinigde water langs de UV-C sterilisator, die dankzij de ultraviolette straling de algengroei neutraliseert. Het water komt terug in de vijver via de wateruitlaat **B** (**Afb. 1**).

HET PLAATSEN VAN DE FILTER

De keuze voor de juiste positie van de GREEN RESET filter is belangrijk en besteden aan de volgende informatie moet veel aandacht worden gegeven:

Het filter kan boven de grond of gedeeltelijk ondergronds worden geplaatst. In het tweede geval moet er op worden gelet dat de metalen ring (**Afb. 2/M**) minstens 10 cm boven de grond zit.

- Het filter mag nooit worden afgedekt, om oververhitting te voorkomen.
- Het filter moet op een vlakke en stabiele ondergrond worden geplaatst, op een voldoende geventileerde plaats, en beschermd tegen UV stralen van de zon.
- Het filter moet verticaal worden geïnstalleerd, op minstens een meter van de vijverrand. Let er goed op dat deze niet in het water kan vallen. Check of er voldoende ruimte rond het filter is om de werkzaamheden uit te kunnen voeren.
- Laat het filter niet werken met een druk die hoger is dan 0.4 bar. Plaats het filter zodanig dat de pijpen **A** voor waterinlaat (**Afb. 1**) en wateruitlaat **B** (**Afb. 1**) al richting de vijver staan, om onnodige knikken in de verbindingsslangen te voorkomen.

EERSTE INSTALLATIE VAN HET GREEN RESET FILTER

De metalen sluitring **M** openen (**Afb. 1**) en de klep met kracht oentrekken.

- De filtermatten er uit halen.
- Het rooster onder de filtermatten weghalen.
- Het biologische filtratiemateriaal (bioballen) op de bodem van het filter onder het rooster plaatsen, zonder de centrale opening te blokkeren, zoals in (**Afb. 2**).
- De filtermatten op de juiste wijze terug plaatsen.
- Checken of de pakkingring (OR) van de klep er goed op zit (**Afb. 3**).
- De filterklep op de kast plaatsen en het filter sluiten met de metalen ring die er bij zit, steeds checken of de pakkingring er nog goed op zit.
- Goed opletten dat u niet in de voedingskabel of in uw vingers prikt.
- De slangetjes voor de waterinlaat en uitlaat op de juiste manier goed vastzetten en verbinden.
- **CHECKEN of de waterwisselaar in de positie "FILTER" staat** (**Afb. 12**).

VERBINDING TUSSEN DE SLAGEN

Het filter GREEN RESET heeft 3 flexibele slangen nodig, die niet bij

de verpakking zitten.

De eerste verbindt de pomp in de vijver met de inlaatkoppeling **A** van het te filteren water (**Afb. 1**).

De tweede **B** laat het gefiltreerde water naar de vijver terugstromen (**Afb. 1**).

De derde wordt verbonden met de slang **C** (**Afb. 1**) die het vuile water afvoert als de filtermatten gereinigd worden.

Dit water kan als kunstmest worden gebruikt.

Het is belangrijk om tijdens het installeren van de filter GREEN RESET flexibele slangen met de juiste diameter te nemen.

Hierdoor kan de pomp een maximale waterstroom bereiken.

Let op dat de flexibele slangen vastgezet worden met veiligheidsringen (niet bijgesloten).

Wanneer bovengenoemde handelingen zijn gedaan, als volgt verder gaan:

1) De pomp een paar minuten aanzetten om te checken of alles in orde is en er geen lekkage is.

2) Als alles werkt en het water regelmatig door de filter loopt, de stekker van de UV-C-lamp aansluiten en via het controlelampje **E** (**Afb. 1**) checken of de UV-C-lamp aan staat.

3) Het filter kan het hele jaar door 24 uur per dag functioneren en doet voortdurend onderhoud. Let op in de winter: wanneer de temperatuur onder het nulpunt zakt het filter loskoppelen en volledig legen.

REINIGING VAN DE FILTERMATTEN MET ZELFREINIGINGSSYSTEEM

Het GREEN RESET filter is voorzien van een zelfreinigingssysteem van de filtermatten, waardoor de matten worden gereinigd zonder dat het filter moet worden opengemaakt.

Als volgt verder gaan:

- De handschakelaar **F** (**Afb. 4**) zover omhoog doen dat de blokkade weg is.

- De twee keuzeschakelaars **G** "FILTER/CLEAN" (**Afb. 5**) draaien met de wijzers van de klok mee of tegen de klok in totdat het opschrift "CLEAN" gelijk valt met het gat van de handschakelaar.

- De stop **A** (**Afb. 6**) van de vuilafvoerpip halen, de flexibele slang met de bijbehorende koppeling **B** (**Afb. 6**) aan de afvoerpip verbinden. De slang plaatsen in de richting van de planten die men wil bemesten.

- De handschakelaar van de keuzeknop **D** (**Afb. 7**) krachtig in de richting van de wijzers van de klok draaien zodat het opschrift "CLEAN" te zien is.

- De handschakelaar **F** indrukken en de filtermatten samenpersen (**Afb. 8**). Deze handeling net zo lang herhalen totdat er schoon water uit de afvoerslang komt. Voor dit reinigingssysteem wordt er water uit de vijver gebruikt, dus als het reinigen van de filtermatten klaar is moet de vijver worden bijgevuld.

- Dan de handschakelaar **F** zover omhoog doen (**Afb. 9**) dat de blokkade weg is.

- De keuzeschakelaars **G** "FILTER/CLEAN" draaien met de wijzers van de klok mee of tegen de klok in totdat het opschrift "FILTER" samenvalt met het gat van de handschakelaar (**Afb. 10**).

- De handschakelaar zover naar beneden drukken dat de blokkade weg is (**Afb. 11**).

- De handschakelaar van de keuzeknop tegen de wijzers van de klok in draaien totdat het opschrift "FILTER" te zien is. (**Afb. 12**).

- De koppeling van het aansluitstuk **B** (**Afb. 6**) van de afvoerpip halen en deze sluiten met de speciale stop **A** (**Afb. 6**).

Als het filter ook na de reiniging van de filtermatten nog verstopt is, met het filteronderhoud verder gaan.

FILTERONDERHOUD (reiniging en vervanging van de filtermatten)

Het filteronderhoud wordt alleen gedaan wanneer het zelfreinigende systeem niet in staat is om de filtermatten te reinigen, omdat ze versleten of teveel verstopt zijn.

LET OP: voordat enige onderhoudshandeling wordt uitgevoerd, altijd het filter van het elektriciteitsnet loskoppelen.

- Er wordt geadviseerd om, als het filter van het elektriciteitsnet is losgekoppeld, de slangen van waterinlaat en wateruitlaat weg te halen, zodat er zonder enige belemmering gewerkt kan worden.

- De metalen ring **M** mag nooit worden geopend (**Afb. 1**) voordat de pomp en de UV-C-lamp losgekoppeld zijn.

- De deksel van de UV-C lamp moet voorzichtig worden geopend, daarom raden wij aan om de volgende instructie video te bekijken: VIDEO op het SICCE YOU-TUBE kanaal (**Afb. A**).

- De metalen houderring **M** openen (**Afb. 1**).

- De filterklep voorzichtig verwijderen en op de houderpakking letten. Deze moet worden gewassen en zo mogelijk worden ingevet (alleen met siliconenvet) voor het wordt teruggeplaatst.

- De filtermatten verwijderen en ze onder de kraan uitwassen of vervangen door nieuwe.

- Het rooster op de bodem van het filterglas verwijderen en deze goed onder de kraan uitspoelen.

- Er wordt geadviseerd om de "bio-ballen" (Mod. 25-40) onder het rooster slechts eenmaal per jaar te reinigen.

- Het filter weer in elkaar zetten volgens de bovenbeschreven handelingen in omgekeerde volgorde.

FILTERONDERHOUD (Het vervangen van de UV-C-lamp)

Voor een optimale filterwerking moet u de UV-C-lamp na ca. 8000 bedrijfsuren vervangen.

LET OP: Wij raden u aan om de vervanging van de UV-C-lamp door gespecialiseerd personeel of personeel met de ondersteuning van de instructie VIDEO op het SICCE YOU-TUBE kanaal te laten uitvoeren. In geval van schade aan elektrische onderdelen, laat deze alleen repareren door gespecialiseerd personeel. Op pagina 3 kunt u de technische tekeningen van de elektrische onderdelen in detail terugvinden.

WINTERPERIODE

Het filter moet tegen het ijs worden beschermd. Tijdens het winterseizoen moet het toestel worden uitgezet. Haal al het water uit de filter, verplaats de filter en berg deze op een beschutte en droge plaats op. Het wordt aangeraden om het filter tijdens het opslaan open te laten.

DE JUISTE COMBINATIE FILTER EN POMP

Er is een grafiek beschikbaar om de juiste filter en pomp combinatie te selecteren, hierbij is rekening gehouden met de omvang en de locatie van de vijver en de hoeveelheid vissen. Deze grafiek is een indicatie en is gebaseerd op diverse marktonderzoeken van SICCE onder gebruikers en een technische evaluatie.



ONLINE HULP

Bekijk onze instructievideo's op het SICCE YOU TUBE kanaal www.youtube.com/SICCEspa.



AANWIJZINGEN VOOR EEN JUISTE AFVOER VAN HET PRODUCT VOLGENS DE EUROPESE RICHTLIJN 2002/96/EG

Aan het einde van zijn bruikbaarheidsduur, mag het product niet samen met het gemeentelijk afval worden afgevoerd.

Het kan worden afgegeven bij de speciale gemeentelijke centra voor gescheiden afvalinzameling of bij verkopers die deze service aanbieden. Door huishoudelijke apparaten gescheiden te verwerken, kunnen mogelijk negatieve gevolgen voor het milieu en de gezondheid door een onjuiste verwerking worden vermeden en kunnen de materialen waaruit het bestaat worden teruggewonnen voor een aanzienlijke besparing van energie en bronnen.

GARANTIE

Dit product, met uitzondering van de UV-C Lampe e O-Ring, is gegarandeerd voor een periode van **3 jaren** vanaf de datum van aankoop tegen gebreken van het materiaal en van de bewerking. Het certificaat van garantie dient in elke gedeelte van het formulier door. voor reparatie teruggegeven wordt tezamen met de fiscale bon van aankoop of een gelijkwaardig document. De garantie betreft de vervanging van de gebrekkige delen. In geval van een verkeerd gebruik, openbreking of nalatigheid van de koper of van de gebruiker is de garantie nietig en vervalt onmiddellijk. De garantie is tevens nietig in geval van ontbreking van de fiscale bon van aankoop of van een gelijkwaardig document. De kosten van verzending en terugzending komen ten laste van de koper

Prezado cliente, agradecemos por ter escolhido GREEN RESET, o novo filtro para lagos com lâmpada UV-C integrada. Ela garante alta performance de limpeza e é muito fácil de usar e limpar! Por favor, leia atentamente as instruções e guarde-as para utilizar seu filtro da melhor maneira.

INSTRUÇÕES DE SEGURANÇA

Los Filtro GREEN RESET son em conformidade com leis nacionais e internacionais de segurança. A fim de evitar danos a pessoas ou coisas, recomendamos respeitar as instruções a seguir.

1) **IMPORTANTE:** Sempre desconecte o plugue da tomada e quaisquer outros aparelhos no lago antes de tocar na água, antes de qualquer instalação ou manutenção e mesmo quando os aparelhos não estão em uso.

2) **CUIDADO:** os raios ultravioletas são perigosas. Nunca olhar diretamente nem toque na lâmpada UV-C quando ela está acesa. Isso pode prejudicar os olhos e a pele. Para verificar o funcionamento da lâmpada, usar o indicador luminoso **E UV-C (Fig. 1)**.

3) Este produto é um filtro esterilizador com lâmpada UV-C interna para uso em lagos ornamentais. Não utilize o aparelho para qualquer outra aplicação.

4) Este produto é resistente, mas não submersível. Não submerja o produto em água. Se o aparelho cair na água, não tente recuperá-lo. Desligar imediatamente da tomada de alimentação.

5) Nunca use o cabo de força para levantar ou mover o aparelho.

6) Não utilize o aparelho para piscinas ou em outras aplicações onde pessoas possam estar em contato com a água em que o aparelho está conectado.

7) Não utilize o aparelho se o cabo de alimentação ou plugue estiver danificado. Se o produto estiver danificado deverá ser substituído por um centro especializado.

8) Mantenha crianças e pessoas com deficiência longe deste aparelho.

9) Não abra a cinta metálica **M (Fig. 1)** nem levante a tampa do filtro quando a bomba está funcionando. Isso pode causar danos graves.

10) A alimentação elétrica deve estar de acordo com os dados escritos no rótulo do produto.

11) Se um cabo de extensão é necessário, certifique-se que seja impermeável.

12) O filtro tem uma pressão máxima de 0,4 Bar.

13) Antes de instalar o filtro, verifique se o bulbo de UV-C não foi danificado durante o transporte. Se isso acontecer, retorne o filtro para o concessionário e não tente instalá-lo.

14) Este produto foi projetado para trabalhar com água em temperaturas entre 4° C e 35° C.

15) Se a temperatura ficar abaixo de 0° C, desligue e esvazie completamente o filtro. Durante o inverno é melhor remover o filtro e armazená-lo em um local abrigado.

16) Não posicionar o filtro em áreas sujeitas a inundações ou onde se pode arriscar a cair na água.

17) Nunca utilize o aparelho sem água.

18) Nunca utilize o aparelho com qualquer líquido que não seja água doce.

19) Nunca ligue o filtro em um sistema hidráulico.

PRINCÍPIOS DE TRABALHO FILTRO GREEN RESET

Los filtros GREEN RESET foi concebido para executar três importantes etapas de filtração, essenciais à manutenção do lago para manter a água clara e saudável:

Auto-limpeza mecânica de filtração, por esponjas especiais que bloqueiam todas as impurezas maiores ou detritos. Quando as esponjas são obstruídas, podem ser limpas pela alça de limpeza do sistema, sem ter de abrir o filtro.

Filtração biológica especial por Bio-Balls (solo Mod. 25-40), posicionada no fundo do filtro. O formato das bolas tem uma estrutura especial com grande superfície para o depósito de bactérias, que

ajuda a manter a água saudável. Estes Bio-Balls especiais têm que ser lavados raramente pois cada lavagem remove a maioria da flora bacteriana que ali cresceu.

Esterilização por raios UV-C promovido pelas lâmpadas UV-C especiais.

A água, através do tubo que liga a bomba à entrada **A** do filtro (**Fig. 1**), é forçada para o compartimento de filtração mecânica. Um cabeçote especial distribui água uniformemente sobre as esponjas para assegurar máxima eficiência em toda a superfície. Em seguida, a água chega à grade na parte inferior do compartimento do filtro e Bio-Balls com bactérias que eliminam quaisquer substâncias tóxicas. A água agora está limpa e passa pelo esterilizador UV-C, que inibe o crescimento das algas. A água retorna para o lago através da tomada **B (Fig. 1)**.

POSICIONAMENTO DO FILTRO

A escolha no posicionamento do filtro GREEN RESET é muito importante. Siga cuidadosamente estas sugestões:

- O filtro pode ser colocado ao nível do solo ou parcialmente enterrado. Neste caso, a cinta em **V M (Fig. 1)** deve ser mantida pelo menos 10 centímetros acima do nível do solo.

- Não cobrir o filtro para evitar superaquecimento.

- Coloque o filtro em uma base plana e estável, em área ventilada, protegida da luz solar direta.

- Coloque o filtro na vertical, a pelo menos um metro de distância da borda do lago e certifique-se de que não possa cair na água. Verifique se há espaço suficiente ao redor do filtro para a operação de limpeza.

- Não faça o filtro trabalhar a mais de 0,4 bar de pressão. Localize o filtro de forma que a entrada **A (Fig. 1)** e saída **B (Fig. 1)** apontem na direção do tanque, para evitar curvas inúteis nos tubos de ligação.

ANTES DE INSTALAR O FILTRO GREEN RESET

- Abrir a cinta **V (Fig. 1 M)** e levantar a tampa do filtro.

- Retire as esponjas.

- Retire a grade das esponjas.

- Coloque o material biológico de filtração (Bio-Balls) no fundo do filtro. Atenção para não obstruir o tubo central (**Fig. 2**).

Reposicione a grade na parte superior, fixando-a corretamente. Reponha as esponjas.

- Verifique se o anel no sulco superior do tubo está posicionada de forma adequada (**Fig. 3**).

- Coloque a tampa do filtro sobre a vedação e feche o filtro com a cinta **V**. Atenção para que o anel fique posicionado corretamente.

- Tenha cuidado para não ferir seus dedos ou pressionar o cabo de alimentação.

- Ligue as mangueiras de entrada e saída.

- **VERIFIQUE se o interruptor de fluxo é o está na posição "FILTRO" (Fig.12).**

CONEXÃO DAS MANGUEIRAS

O GREEN RESET requer três tubos flexíveis que não estão incluídos. Um para ligar a bomba ao acoplamento de entrada **A (Fig. 1)**.

Outro para conduzir a água limpa a partir da saída **B** do filtro (**Fig. 1**) de volta para a lagoa.

Outro para conectar o cano de esgoto **C (Fig. 1)** com água suja quando a limpeza das esponjas é feita.

Essa água pode ser usada como fertilizante.

Ao instalar o filtro verde Reset, é importante que o diâmetros de mangueiras flexíveis estejam corretamente dimensionados.

Isso permitirá à bomba obter o máximo desempenho do fluxo de água. Sempre prenda as mangueiras para os acoplamentos com abraçadeiras de metal (não incluídas).

Depois de feitas as operações acima referidas, por favor, faça o seguinte:

1) Ligue a bomba e deixe-o funcionar por alguns minutos a fim de

verificar se tudo está funcionando e não há vazamentos.

2) Se tudo estiver funcionando e a água flui normalmente através do filtro, conecte o plugue da lâmpada UV-C e verifique se ele está no meio do indicador luminoso **E** (Fig. 1).

3) O filtro pode trabalhar 24 horas / dia durante o ano inteiro exceto se a temperatura cair abaixo de 0° C. Para evitar danos, desligue a alimentação e esvazie completamente o filtro.

LIMPEZA DAS ESPONJAS COMO AUTO SISTEMA DE LIMPEZA

O GREEN RESET é equipado com um sistema de auto-limpeza, que permite limpar as esponjas sem abrir o filtro.

Faça o seguinte:

- Levante totalmente a alça na parte superior do filtro (Fig. 4).
 - Mude da posição **G** "FILTER" para a posição "CLEAN" no sentido horário ou anti-horário até a escrita "CLEAN" corresponder ao pequeno furo no alça (Fig. 5).
 - Retire a tampa **A** (Fig. 6) da tomada de detritos, ligue o conector de mangueira reforçada **B** (Fig. 6) e um tubo flexível (não obrigatório). Posicione o tubo para as plantas / flores que você gostaria de fertilizar.
 - Vire à direita **D**, com força, o seletor de lidar com o fluxo para a posição "CLEAN" (Fig. 7).
 - Empurre para cima e para baixo a alça superior **F** (Fig. 8) para apertar o esponjas. Repita esta operação até que água limpa saia do filtro. Quando a limpeza estiver concluída, reabasteça o lago com água para completar seu nível.
 - Para voltar o filtro para a operação normal, levante completamente a alça superior **F** (Fig. 9).
 - Posicione os fixadores **G** "CLEAN" na posição de "FILTER position" (Fig. 10).
 - Baixe completamente a alça superior (Fig. 11).
 - Rode o seletor de lidar com o fluxo no sentido contrário ao "FILTER position" (Fig. 12).
 - Retire o conector de mangueira reforçada **B** (Fig. 6) da tomada de detritos e feche-o com a tampa original **A** (Fig. 6).
- Se o filtro, após as operações de limpeza, ainda está bloqueado, proceda à manutenção do filtro.

MANUTENÇÃO DE FILTRO (Limpeza e substituição das esponjas)

A manutenção do filtro deve ser feita apenas se o sistema de auto-limpeza não conseguir limpar completamente as esponjas porque eles estão desgastados ou bloqueados.

CUIDADO: Sempre desligue o filtro da alimentação antes de qualquer operação de manutenção.

- Quando desligar o filtro da rede elétrica é aconselhável retirar os tubos de entrada e de abastecimento de água, a fim de trabalhar sem qualquer desordem.
- Não abra a cinta **V M** (Fig. 1) antes de ter desconectado a bomba e lâmpada UV-C da energia elétrica.
- A tampa da lâmpada UV-C e do setor de energia elétrica deve ser aberta com cautela. Por favor, siga o tutorial de vídeo adequado na SICCE-YOU TUBE (Fig. A).
- Abrir a cinta **V M** (Fig. 1).
- Retire o filtro de cúpula com especial cuidado para não danificar a vedação ("O" Ring). Este deve ser lavado e de preferência lubrificado (somente com silicone) antes de reposicioná-lo.
- Retire as esponjas e lave-as com água corrente.
- Retire a grade na parte inferior do filtro e lave-as sob água corrente.
- Lave as bio-balls apenas uma vez por ano, de modo que a filtragem biológica não ser interrompida.
- Em seguida, monte o filtro seguindo os procedimentos acima em ordem inversa.

MANUTENÇÃO DE FILTRO (Reposição da lâmpada UV-C)

Para garantir um efeito de filtragem adequado, a lampada UVC deve ser substituída após cada 8000 horas de serviço.

AVISO: Substituir a lâmpada UVC pode ser realizada por pessoal

treinado ou com a ajuda do Vídeo on SICCE TUTORIAL You Tube (Fig. A). A reparação de qualquer dano ao elétrica é só contra o pessoal. Uma página 3 relatar os desenhos técnicos da parte elétrica.

TEMPORADA DE INVERNO

O filtro deve ser protegido de geada. Durante a temporada de inverno, o filtro deve ser desligado, esvaziado de toda a água, retirado do jardim e armazenado em um local seco e protegido. É recomendável deixar o filtro aberto enquanto estiver armazenado

COMBINAÇÃO DE FILTRO - BOMBA

Os dados são indicativos e baseiam em testes e avaliações SICCE. Não fornece absoluta de que você mesmos dependem de vários Fatores ambientais e as indicações de temperatura.

ASSISTÊNCIA



Sugerimos que veja nossos tutoriais em vídeo para apoiar a instalação e manutenção de produtos, disponível no canal oficial www.youtube.com/SICCEspa.



PRECAUÇÕES PARA DESCARTE CORRETO DO PRODUTO NOS TERMOS DA DIRECTIVA CE 2002/96 / CE

Se usada ou quebrada, esta bomba não pode ser descartada como lixo comum. Verifique a legislação vigente e procure centros apropriados para descartar a bomba, ou devolva-a ao revendedor. Descarte separadamente qualquer componentes elétrico para não causar danos ao ambiente. Procure centros de reciclagem desse tipo de material.

GARANTIA

Este produto é totalmente coberto pela lei do consumidor vigente no Brasil. A garantia do produto só será cumprida pelo revendedor ou importador no caso de apresentação de nota fiscal comprobatória da compra que prove que o material comprado está no prazo de garantia de **3 anos** da data da compra. O lampada UV-C e O-Ring não possui garantia. A garantia não será dada a produtos em que se prove mal uso, danos intencionais – como a alteração nas suas características originais ou o corte do plugue de tomada, retirada de qualquer dos componentes do plugue ou corte do próprio cabo de energia da bomba. quando adquirir a bomba, peça ao revendedor ou importador para desmontá-la e verificar o estado do rotor. As despesas de expedição e devolução ficam por conta do comprador.

Уважаемый Клиент,

благодарим за то, что Вы выбрали GREEN RESET, новый фильтр для водоемов и садовых прудов со встроенной ультрафиолетовой лампой UV-C и запатентованной системой очистки, которая облегчит обслуживание Вашего водоема в чистой и прозрачной воде.

УКАЗАНИЯ ПО БЕЗОПАСНОСТИ

Во избежание получения травм и поломок мы рекомендуем соблюдать следующие инструкции.

1) **Важно:** Всегда отсоединяйте шнуры электропитания и отключайте другие электроприборы, находящиеся в пруду, прежде чем прикасаться к воде при проведении монтажных работ или технического обслуживания, даже если эти электроприборы не используются.

2) **Предупреждение:** Ультрафиолетовый свет является опасным для глаз. Никогда не смотрите на источник ультрафиолетового света и не прикасайтесь к UV-C лампе, когда она включена. Это может привести к повреждению глаз и кожи. Для проверки исправности ультрафиолетовой лампы используйте индикатор для источников ультрафиолетового света (*рисунок 1 E*).

3) Данное изделие представляет собой фильтр со встроенным ультрафиолетовым стерилизатором UV-C для использования в декоративных водоёмах и садовых прудах. Данное изделие не предназначено для использования в других целях.

4) Данное изделие является водонепроницаемым, но не предназначено для погружения в воду. Не погружайте данное изделие в воду. Если изделие упадёт в воду, не пытайтесь сразу достать его. Немедленно отсоедините шнур электропитания.

5) Никогда не поднимайте и не тяните изделие за шнур электропитания.

6) Не используйте изделие в плавательных бассейнах или в других целях, когда воду используют люди.

7) Не используйте изделие с повреждённым шнуром электропитания или электрической вилкой. Если изделие повреждено, его следует заменить в специализированном центре послепродажного обслуживания.

8) Необходимо исключить контакт с изделием детей и людей с ограниченными возможностями.

9) Не открывайте V-образную ленту (*рисунок 1 M*) и не открывайте крышку фильтра при включённой ультрафиолетовой лампе. Это может быть очень опасно.

10) Электропитание должно соответствовать параметрам, указанным на маркировке изделия.

11) При необходимости использовать удлинитель убедитесь, что он водонепроницаем.

12) **Фильтр рассчитан на максимальное рабочее давление 0.4 бар.**

13) Перед установкой фильтра проверьте, что ультрафиолетовая лампа не была повреждена при транспортировке. При наличии повреждений верните фильтр дилеру и не пытайтесь установить его самостоятельно.

14) Данное изделие предназначено для работы с водой при температуре от +4° C до +35° C.

15) Если температура воды ниже 0° C, отсоедините шнур электропитания и вылейте из фильтра всю воду. В зимнее время фильтр следует снять и хранить в помещении.

16) Не устанавливайте фильтр в местах, которые могут быть затоплены, или там, где есть риск его падения в воду.

17) Никогда не включайте фильтр без воды.

18) Данное изделие нельзя использовать с другими жидкостями, кроме пресной воды.

19) Не подключайте фильтр к гидравлическим системам.

ПРИНЦИП РАБОТЫ ФИЛЬТРОВ GREEN RESET

Фильтры GREEN RESET Filters предназначены для выполнения трёх важных этапов фильтрации для поддержания чистоты и идеального санитарного состояния водоёмов и садовых прудов:

Механическое очищающее фильтрование, которое осуществляется за счёт использования специальных фильтровальных губок, задерживающих все крупные частицы грязи. Когда губки забьются, их можно очистить с помощью ручной

системы очистки (ПАТЕНТ SICCE), не разбирая фильтр. Для быстрого понимания мы рекомендуем посмотреть Обучающее видео SICCE на YOU-TUBE канале SICCE (*рисунок A*).

Биологическое фильтрование, которое обеспечивается за счёт применения специальных Биошариков (Bio-Balls), находящихся в нижней части фильтра (включены в поставку только для модели GREEN RESET 25-40). Биошарики имеют специальную структуру с большой площадью поверхности, на которой задерживаются бактерии, что обеспечивает высокое санитарное качество воды. Эти специальные Биошарики не нуждаются в очистке, поскольку с каждой промывкой большая часть выросшей бактериальной флоры будет удаляться.

При проектировании изделия это требование было учтено и эти компоненты находятся под надежной защитной сеткой.

Стерилизация ультрафиолетовым светом, которая обеспечивается за счёт применения специальной ультрафиолетовой UV-C лампы, входящей в комплект поставки. Вода подается внутрь пластиковой трубки, где расположена ультрафиолетовая UV-C лампа, и благодаря ультрафиолетовому свету нейтрализуется рост водорослей.

КАК ЭТО РАБОТАЕТ

Вода через трубку, соединяющую насос в впускном отверстии фильтра (*рисунок 1/A*), прокачивается через камеру для механического фильтрования. Специальная головка равномерно распределяет воду по фильтровальным губкам, обеспечивая максимальную эффективность фильтрования всей поверхностью губок. Вода проходит через сетку в нижней части фильтровальной камеры, и Биошарики с бактериями уничтожают все токсичные вещества. После этого чистая вода проходит через ультрафиолетовый стерилизатор, который останавливает рост водорослей. Затем вода возвращается обратно в водоём через выпускное отверстие (*рисунок 1/B*).

УСТАНОВКА ФИЛЬТРА

• Очень важно правильно выбрать место для установки фильтра GREEN RESET. Внимательно изучите следующую информацию:

• Фильтр можно поставить на землю или частично углубить ниже поверхности земли. В этом случае V-образная лента (*рисунок 1/M*) должна находиться, по крайней мере, на 10 см выше поверхности земли.

• Во избежание перегрева ничем не накрывайте фильтр.

• Фильтр следует поставить на плоскую, прочную основу в относительно хорошо проветриваемом месте, закрытом от прямых солнечных лучей.

• Фильтр следует ставить строго вертикально на расстоянии, по крайней мере, один метр от края воды так, чтобы он не мог упасть в воду. Вокруг фильтра необходимо оставить достаточно свободного места, чтобы можно было производить чистку изделия.

• Не допускайте работу фильтра при давлении выше 0.4 бар.

Фильтр следует установить таким образом, чтобы выпуск (*рисунок 1/A*) и выпуск (*рисунок 1/B*) были направлены в сторону пруда, чтобы исключить ненужные изгибы соединительных труб.

ПЕРВАЯ УСТАНОВКА ФИЛЬТРА GREEN RESET

• Открыть V-образную ленту (*рисунок 1/M*) и снять крышку фильтра.

• Снять фильтровальные губки.

• Снять сетку под фильтровальными губками.

• Положить биологический фильтровальный материал (Bioballs) в нижнюю часть фильтра так, чтобы не перекрыть центральный шланг (*рисунок 2*).

• Поставить сверху сетку и закрепить её. Затем поставить на место фильтровальные губки.

• Проверить, чтобы O-образное кольцо в желобе канистры i было размещено правильно (*рисунок 3*).

• Поставить крышку фильтра на прокладку и закрыть с помощью V-образной ленты так, чтобы не нарушить правильность установки O-образного кольца.

• Проявляйте осторожность, чтобы не порезать пальцы или шнур электропитания.

• Подключить впускной выпускной шланги.

• Проверить, чтобы переключатель направления потока

находился в положении "FILTER" ("Фильтр") (рисунки 12).

Подключение труб

Для подключения фильтра GREEN RESET нужны три гибкие трубы, которые в комплект изделия не входят.

Одна труба соединяет насос с впускной муфтой фильтра (рисунки 1/А).

другая служит для выпуска чистой воды из выпускного отверстия фильтра (рисунки 1/В) обратно в пруд.

Ещё одна труба нужна для подключения к сливу грязной воды (рисунки 1/С).

когда производится чистка фильтровальных губок. Эту воду можно использовать для полива сада или огорода.

При установке фильтра GREEN RESET важно использовать гибкие шланги правильного диаметра.

Это позволит обеспечить максимальную производительность насоса.

Всегда закрепляйте шланги на штуцерах с помощью металлических хомутиков (в комплект изделия не входят).

После завершения перечисленных выше операций сделайте следующее:

1. Включите на несколько минут насос и проверьте, что всё работает правильно и отсутствуют протечки.

2. Если всё работает, и вода правильно прокачивается через фильтр, подключить к сети ультрафиолетовую лампу и с помощью индикатора света проверить, что она включилась (1/Е).

Фильтр может работать круглосуточно в течение всего года, если температура не опускается ниже 0° С. В этом случае во избежание поломки фильтра его следует отключить и полностью слить из него всю воду.

ЧИСТКА ФИЛЬТРОВАЛЬНЫХ ГУБОК С ПОМОЩЬЮ СИСТЕМЫ САМООЧИСТКИ

Фильтры GREEN RESET оснащены системой самоочистки, которая позволяет чистить фильтровальные губки, не разбирая фильтр.

Порядок чистки:

• Полностью поднять рукоятки на верхней части фильтра (рисунки 4/Ф).
• Поворачивать обе рукоятки из положения "FILTER" ("Фильтр") в положение "CLEAN" ("Чистка") по часовой стрелке до тех пор, пока надпись "CLEAN" не совместится с маленьким отверстием на рукоятке (рисунки 5/Г).

• Снять заглушку (рисунки 6/А) с выпускного отверстия для грязной воды, подключить ступенчатый шланговый соединитель (рисунки 6/В) и гибкую трубку (не обязательно). Направить шланги в сторону цветов/растений, если вы хотите полить их.

• Повернуть с силой по часовой стрелке рукоятку выбора направления потока воды в положение "CLEAN" ("Чистка") (рисунки 7/Д).

• Верхнюю рукоятку поднимать вверх и опускать вниз (рисунки 8/Ф), чтобы выжать губки. Повторять это действие до тех пор, пока из фильтра не будет выходить чистая вода. После завершения чистки можно продолжить фильтрование воды из водоёма.

• Чтобы вернуть фильтр в нормальный режим работы, полностью поднять верхнюю рукоятку (рисунки 9/Ф).

• Повернуть обе рукоятки из положения "CLEAN" ("Чистка") в положение "FILTER" ("Фильтр") (рисунки 10/Г).

• Полностью опустить вниз верхнюю рукоятку (рисунки 11).

• Повернуть селектор направления потока воды против часовой стрелки в положение "FILTER" ("Фильтр") (рисунки 12).

• Снять ступенчатый шланговый соединитель (рисунки 6/В) с отверстия для выпуска грязной воды и закрыть заглушкой (рисунки 6/А).

Если фильтр после чистки по-прежнему остаётся забитым, его необходимо обслужить.

ОБСЛУЖИВАНИЕ ФИЛЬТРА (чистка и замена фильтровальных губок)

Обслуживание фильтра выполняется, если система самоочистки не может полностью очистить губки из-за того, что они изношены или забиты мусором и грязью.

Предупреждение: При проведении любого обслуживания фильтра всегда отключайте шнур электропитания от сети.

Не открывайте V-образную ленту (рисунки 1/М), пока не отсоедините насос и ультрафиолетовую лампу от сети.

• Крышку отделения с UV-C лампой необходимо открывать очень осторожно, крайне рекомендуется просмотр ОБУЧАЮЩЕГО ВИДЕО на Официальном YOU-TUBE канале SICCE (рисунки А).

• Крышку отделения для ультрафиолетовой лампы может открывать только квалифицированный специалист.

• Открыть V-образную ленту (рисунки 1/М).

• Снять крышку фильтра, соблюдая осторожность, чтобы не повредить прокладку. Прокладку промыть и смазать (только силиконовой смазкой) перед установкой на место.

• Снять фильтровальные губки и промыть их в проточной воде.

• Снять решётку в нижней части фильтра и промыть в проточной воде.

• Промывать биошарики только раз в год, чтобы не нарушать процесс биологической очистки.

• Собрать фильтр в обратном порядке.

ОБСЛУЖИВАНИЕ ФИЛЬТРА (замена ультрафиолетовой лампы)

Для достижения оптимальной производительности фильтра, мы рекомендуем заменить UV-C лампу после приблизительно 8000 рабочих часов.

ПРЕДУПРЕЖДЕНИЕ: Замену ультрафиолетовой лампы должен производить только квалифицированный специалист или при поддержке ОБУЧАЮЩЕГО ВИДЕО на Официальном YOU-TUBE канале SICCE: <https://www.youtube.com/user/SICCEspa/videos>. В случае повреждения электрических деталей или компонентов любой ремонт должен производить ТОЛЬКО квалифицированный персонал. На странице 3 приведены подробные технические чертежи электрических деталей.

ЗИМНЕЕ ВРЕМЯ

Фильтр необходимо защитить от мороза. Зимой фильтр необходимо отключить, слить из него всю воду, убрать из сада и хранить в помещении. Рекомендуется хранить фильтр в разобранном состоянии.

КОМБИНИРОВАННЫЙ ФИЛЬТР - НАСОС

Эти данные носят ориентировочный характер и основаны на испытаниях и оценки Sicce. Не дают абсолютным показаниям так же зависят от нескольких факторов окружающей среды и температурой.



ОНЛАЙН-СПРАВКА

Смотрите обучающие видеоролики на официальном канале THE SICCE YOUTUBE www.youtube.com/SICCEspa.



ИНСТРУКЦИИ ПО ПРАВИЛЬНОЙ УТИЛИЗАЦИИ ИЗДЕЛИЯ В СООТВЕТСТВИИ С ДИРЕКТИВОЙ ЕС 2002/96/ЕС

После окончания срока эксплуатации или в случае поломки изделие не должно выбрасываться вместе с другими бытовыми отходами. Его следует доставить в специальный центр по сбору и утилизации использованных электроприборов и электротехнических отходов или вернуть дилеру, у которого он был куплен. Такой отдельный порядок утилизации электротехнических изделий позволяет исключить неблагоприятное воздействие на окружающую среду и здоровье людей, а также даёт возможность повторно использовать материалы и, таким образом, экономить энергию и ресурсы.

ГАРАНТИЯ

На настоящее изделие распространяется гарантия от дефектов материалов и производственного брака сроком **3 года** от даты покупки, кроме ультрафиолетовой лампы. Гарантийный сертификат должен быть заполнен дилером, в который также должны быть внесены данные о насосе, с приложением кассового/товарного чека или аналогичного документа. Гарантия включает замены бракованных частей и компонентов. В случае неправильного использования, повреждения изделия покупателем или пользователем по небрежности гарантия немедленно аннулируется. Гарантия также является недействительной, если отсутствует кассовый/товарный чек или аналогичный документ. Расходы по отправке насоса на завод или ремонтное предприятие и обратно оплачиваются покупателем.

Vážený kliente, děkujeme, že jste si vybrali GREEN RESET, nový jezírkový filtr s integrovanou UV-C lampou. To zaručuje vysokou čisticí výkon a je velmi snadno ovladatelný a snadno se čistí. Prosím, přečtěte si pečlivě následující instrukce, které Vám popisují použití vašeho filtru nejlepším způsobem. Instrukce uchovejte pro případné další použití.

BEZPEČNOSTNÍ POKYNY

Filtry GREEN RESET byly navrženy v souladu s národními a mezinárodními bezpečnostními pravidly. Před použitím filtru GREEN RESET si přečtěte prosím pozorně následující instrukce, aby se zabránilo škodám na věcech či osobách.

- 1) **Důležité:** Vždy vypněte filtr ze zásuvky, pokud budete s filtrem manipulovat nebo provádět veškerou údržbu.
- 2) **UPOZORNĚNÍ:** Ultrafialové paprsky jsou nebezpečné. Nikdy se nedívejte přímo do UV-C, pokud je zapnutá. Může to poškodit oči a kůži. Chcete-li zkontrolovat fungování svítiviny, použijte UV-C kontrolkou **E (Obr. 1)**.
- 3) Tento produkt je filtr s vnitřním UV-C sterilizátorem pro použití v okrasných jezírkách. Nepoužívejte přístroj pro jiné aplikace.
- 4) Tento produkt je odolný proti povětrnostním vlivům, ale není ponorný. Neponořujte produkt do vody. Pokud spotřebič spadne do vody, nepokoušejte se jej vylovit. Odpojte okamžitě zástrčku.
- 5) Nikdy nepoužívejte napájecí kabel ke zvedání nebo pohybu zařízení.
- 6) Výrobek nepoužívat v bazénech nebo jinde, kde se nacházejí lidé.
- 7) Výrobek nepoužívat, když je vidět poškození na napájecím kabelu nebo na zástrčce. Pokud je součást výrobku poškozena, musí být vyměněna specialisty.
- 8) Dětem je přístup k výrobku nebo použití výrobku zakázáno.
- 9) Kovový kruh neotevírat a filtrační víko nezvedat **M (Obr. 1)**, když je pumpa v provozu. Tento postup může být velmi nebezpečný.
- 10) Elektrické napojení přístroje musí být připojeno podle typového listu produktu.
- 11) Pokud je používán prodlužovací kabel, musíte zajistit, že je voděodolný.
- 12) **Maximální provozní tlak je 0,4 bar.**
- 13) Před instalací filtrace zkontrolovat, jestli skleněný válec nebo UV-C-lampa nebo nebyla poškozená při transportu. Pokud ano, donést filtrace zpátky do obchodu a nepokoušet se ho nainstalovat. Lampu nelze provozovat s prasklým válcem.
- 14) Tento výrobek byl sestaven pro péči o vodu s teplotou do 35° C.
- 15) Když teplota vody klesne pod 4° C, odpojit napájení proudem a filtrace kompletně vyprázdnit. Je dobré filtrace v zimě odstranit a skladovat ji na chráněném místě.
- 16) Filtrace uskladnit tak, aby nebyla na místech, kde hrozí nebezpečí zatopení, anebo na místech, kde by filtrace mohla spadnout do vody.
- 17) Nástroj nepoužívat bez vody!!!
- 18) Nikdy nepoužívejte přístroj s jinými kapalinami, pouze s vodou.
- 19) Nikdy nepřipojujte filtr do hydraulického systému.

FUNKČNÍ PRINCIP FILTRACE GREEN RESET

Filtrace GREEN RESET byla sestavena tak, aby ve třech filtračních funkcích dodržel ve vašem jezírkovém biotopu čistotu a zdraví.

Mechanické samo-čištění filtrace, pomocí speciálních houbiček, které blokují všechny větší nečistoty nebo úlomky. Když jsou houby zanešené, mohou se vyčistit přes systém v rukojeti bez otevření filtru.

Biologická filtrace, pomocí speciálních Bio-kuliček umístěných na spodní straně filtru. Bio-kuličky mají zvláštní strukturu, s širokou plochou pro uložení bakterií, které vám pomohou udržet vodu zdravou. Tyto speciální Bio-Koule se musí prát zřídka, protože každé mytí odstraňuje většinu pěstované bakteriální flóry.

Design výrobku byl navržen tak, že všechny tyto součásti jsou umístěny pod zabezpečenou síť.

Sterilizace pomocí UV-C záření, speciální UV-C lampa obsažena v balení. Voda je poháněna uvnitř plastové trubky, kde je UV-C lampa umístěna a díky paprsku UV lampy je řasa neutralizována.

V DETAILU:

Voda, prostřednictvím trubice, která spojuje čerpadlo na vstupu filtru **A (Obr. 1)**, je nucena k mechanické filtraci v prostoru filtru. Zvláštní hlavice rozděluje vodu rovnoměrně po houbách pro zajištění maximální účinnosti po celé ploše. Poté voda dosáhne mřížky na spodní části filtrační komory a pronikne mezi bio-kuličky s bakteriemi, které eliminují všechny toxické látky. Voda je nyní čistá a prochází UV-C sterilizátorem, který inhibuje růst řas. Vodu vrátí do rybníka přes výstup **B (Obr. 1)**.

UMÍSTĚNÍ FITRU

Volba polohy GREEN RESET filtru je velmi důležitá. Pečlivě postupujte podle těchto doporučení:

- Filtr může být umístěn na úrovni země nebo částečně zapuštěn. V tomto případě musí být víko nad sponou **M (Obr. 1)** alespoň 10 cm nad úrovní terénu.
- Nezakrývejte filtr tak, aby se zabránilo přehřátí.
- Umístěte filtr na plochou, stabilní základnu, v dostatečně větraném prostoru, ve stínu před přímým slunečním zářením.
- Umístěte filtr svisle alespoň jeden metr od okraje rybníka a zajistěte, aby se nemohl dostat do vody. Ověřte, zda je dostatek místa kolem filtru pro čištění filtru.
- Neprovozujte filtr při tlaku nad 0,4 bar. Umístěte filtr tak, aby vstup **A (Obr. 1)** a výstup **B (Obr. 1)** byl ve směru k rybníku, aby se zabránilo zbytečnému ohybů v potrubí.

PRVNÍ INSTALACE FILTRU GREEN RESET

- Otevřete víko pomocí kovové spony **M (Obr. 1)** a zvedněte kryt filtru.
- Odstraňte houby.
- Odstraňte mřížku pod houbami.
- Dejte biologický filtrační materiál (Biokuličky) dovnitř na spod filtru, věnujte pozornost centrálnímu bodu, kam se nesmí kuličky sypat, bránili by centrálnímu potrubí **(Obr. 2)**. Umístěte mřížku zpět.
- Pak umístěte houby.
- Ověřte, zda je O-kroužek v horní drážce kanystru umístěn řádným způsobem **(Obr. 3)**.
- Umístěte kryt filtru na těsnění a uzavřete filtr sponou, věnujte pozornost O-kroužku, ať je stále umístěn řádným způsobem. Dávejte pozor, abyste si nepřiskřípli prsty nebo síťový kabel.
- Připojte přívodní a odtokovou hadici.
- **Ověřte, že průtokový spínač je v poloze "FILTER" (Obr. 12).**

PŘIPOJENÍ HADICE

GREEN RESET filtr vyžaduje tři flexibilní hadice, které nejsou zahrnuty zeminou.

Jedna pro připojení čerpadla se sací spojkou **A (Obr. 1)**

Další k vyprázdnění čisté vody z výstupu filtru **B (Obr. 1)** zpět do rybníka.

Další k připojení odpadové hadice **C (Obr. 1)** k odvodu znečištěné vody, když se provádí čištění hub.

Tato voda může být použita jako hnojivo.

Při instalaci GREEN RESET filtru je důležité, abyste měli ohebné hadice s průměry odpovídajících rozměrů.

To umožní čerpadlu získání maximálního výkonu průtoku vody.

Vždy připevněte hadice na spojky s kovovými sponami (nejsou součástí dodávky).

Poté, co udělal výše uvedené operace, prosím postupujte následovně:

- 1) Zapněte čerpadlo a nechte působit několik minut, abyste ověřili, že vše funguje a nedochází k únikům vody.
- 2) Pokud vše funguje a voda normálně protéká filtrem, připojte zástrčku UV-C lampy a ověřte přes optickou indikaci, že je funkční **E (Obr. 1)**.
- 3) Filtr může pracovat 24 hodin / den pro celý rok s výjimkou, pokud teplota klesne pod 4° C. Aby se zabránilo poškození, odpojte napájení a vyprázdněte filtr.

ČIŠTĚNÍ HOUBIČEK V SAMOČISTICÍM SYSTÉMU

GREEN RESET je vybaven samočisticím systémem, který umožňuje vyčistit houby bez otevření filtru.

Postupujte následovně:

- Zvedněte zcela rukojeť na horní části filtru **(Obr. 4)**.
- Otočte obě rukojeti z polohy "FILTER" do polohy "CLEAN" ve směru hodinových ručiček nebo proti směru hodinových ručiček, dokud poloha CLEAN neodpovídá malému otvoru v rukojeti **(Obr. 5)**.

- Odstraňte kryt **A (Obr. 6)** z trysky, připojte hadicový konektor **B (Obr. 6)** a flexibilní trubici (není povinné). Umístěte trubku směrem k rostlinám / květinám/, které chcete pohnojit.
 - Otáčejte ve směru hodinových ručiček, silou, do pozice "CLEAN" **D (Obr. 7)**.
 - Stlačte nahoru a dolů držadlo, čímž zmáčknete houby. Opakujte tuto operaci, dokud nebude vytékat z filtru čistá voda. Po dokončení čištění doplňte vodu do jezírka, dle Vaší potřeby. **F (Obr. 8)**.
 - Chcete-li filtr spustit zpět pro normální provoz, zvedněte zcela horní rukojeti **(Obr. 9)**.
 - Otočte obě rukojeti z polohy "CLEAN" do polohy "FILTER" **G (Obr.10)**.
 - Horní rukojeti stlačte opět dolů **(Obr. 11)**.
 - Otočte volič průtoku rukojetí proti směru hodinových ručiček na polohu "FILTER" **(Obr.12)**.
 - Odstraňte připojenou hadici určenou na čištění z konektoru **B (Obr. 6)** a zavřete jej s původním uzávěrem **A (Obr. 6)**.
- Pokud je filtr po čištění stále zanešen, pokračujte s údržbou filtru.

ÚDRŽBA FILTRU (Čištění a výměna houbiček.)

Údržba filtru může být provedena pouze v případě, že samočisticí systém nemůže plně čistit houby, protože jsou opotřebené nebo blokovány.

UPOZORNĚNÍ: Vždy odpojte filtr od napájení před jakoukoliv operací údržby.

Jakmile je filtr odpojen ze sítě, doporučujeme odpojit všechny vstupní a výstupní hadice pro snadnější a pohodlnější údržbu.

- Neotevírejte víko **M (Obr. 1)** před tím, než odpojíte čerpadlo a UV-C lampu.
- Víko UV-C lampy prostoru může otevřít pouze s opatrností a je velmi doporučeno podívat se na výukové video na internetových stránkách SICCE na oficiálním YOU TUBE kanále **(Obr. A)**.
- Otevřete víko **M (Obr. 1)**.
- Vyjměte filtrační náplň se zvláštní péčí, abyste je nepoškodili nebo nepoškodili těsnění. To by mělo být umyto a nejlépe namazáno (pouze silikonovým tukem) před umístěním zpět.
- Odstraňte houby a omyjte je pod tekoucí vodou.
- Odstraňte mřížku na spodní části filtru a opláchněte ji pod tekoucí vodou.
- Umyjte bio-koule jen jednou za rok, biologická filtrace nesmí být přerušena.
- Poté znovu smontujte filtr v návaznosti na výše uvedené postupy v obráceném pořadí.

VÝMĚNA UV-C lampy

Pro optimální filtrační výkon doporučujeme vyměnit lampu UVC po cca 8000 provozních hodin.

POZOR: Výměnu UV-C lampy může provádět pouze specializovaný personál/ zaměstnanci, nebo s podporou výukového videa ve SICCE YOU TUBE-oficiální kanál. V případě škody na elektrických částí nebo součástí jakékoliv opravy akce musí být provedena pouze odborným personálem. Na stránce 3 technické výkresy elektrických částí v detailu.

ZIMNÍ SEZÓNA

Filtr musí být chráněn před mrazem. Během zimní sezóny by měl filtr být vypnut, zbavený veškeré vody, odstraněný ze zahrady a skladován na suchém, zastřešeném místě. Doporučuje se ponechat filtr otevřený během skladování. Kombinovaný filtr s čerpadlem. Tabulka níže je návod založený na testech a hodnocení společnosti SICCE. Neposkytuje absolutní kombinace, která závisí na mnoha dalších tepelných podmínkách



ONLINE PODPORA

Sledujte oficiální video na SICCE YOU TUBE - oficiální kanál www.youtube.com/SICCEspa.



POKYNY PRO SPRÁVNOU LIKVIDACI produktu podle směrnice EU 2002/96/ES

Běžně opotřebené nebo zlomené produkty nesmí být vyhozeny mezi ostatní odpad. Ty mohou být dodány pouze do zvláštních sběrných středisek odpadů nebo obchodníků, kteří poskytují tuto službu.

ZÁRUKA

Na tento výrobek se vztahuje záruka na vady materiálu a provedení po dobu **3 let** od data zakoupení, s výjimkou UV-C lampy a O-kroužků. Záruční list musí být vyplněn prodejcem a musí doprovázet filtr, pokud je vrácen na opravu, spolu s dokladem o zaplacení nebo podobným dokumentem. Záruka se vztahuje na výměnu vadných dílů. V případě nesprávného použití, manipulace nebo nedbalosti kupujícím nebo uživatelem, záruka je neplatná a končí okamžitě. Záruka je také neplatná od samého počátku přijetí při nepřítomnosti záručního dokladu nebo dokladu o nákupu.

EN -Table below is a guideline based on Sicce tests and evaluation. It does not provide absolute combinations which depends on many other thermal /enviromental conditions.

DE - Die Tabelle folgend ist eine Korrekturlinie, die auf Sicce Tests und Bewertung basiert. Sie liefert nicht absolute Kombinationen, die von vielen anderen thermischen /enviromental Bedingungen

F - Le tableau ci-dessous est une directive basée sur des tests et évaluation du Sicce. Il ne fournit pas les combinaisons absolue, qui dépend de beaucoup d'autres conditions environnementales et thermique.










IT - I dati sono indicativi e si basano su test e valutazioni di Sicce. Non fornisce indicazioni assolute poiché le stesse dipendono da vari fattori ambientali e di temperatura.

S - Los datos son indicativos y se basan en pruebas y evaluaciones de Sicce. No proporciona indicaciones absolutas de que los mismos datos dependerán de varios factores ambientales y de temperatura.

PT - Os dados são indicativos e estão baseadas em testes e avaliações da Sicce. Não fornece indicações absolutas de que os mesmos dependem de vários fatores ambientais e de temperatura.

RU - Эти данные носят ориентировочный характер и основаны на испытаниях и оценки Sicce. Не дают абсолютным показаниям так же зависят от нескольких факторов окружающей среды и температурой.

CZ - Tabulka níže je návod založený na testech a hodnocení společnosti SICCE. Neposkytuje absolutní kombinace, která závisí na mnoha dalších tepelných podmínky.

						
POND SIZE						
4000 L 1060 US Gal	GR 25	GR 25	GR 25	GR 25	GR 25	GR 25
8000 L 2200 US Gal	GR 25	GR 25	GR 25	GR 25	GR 40	GR 40
12000 L 3200 US Gal	GR 40	GR 40	GR 40	GR 40	1xGR 25 1xGR 40	1xGR 25 1xGR 40
16000 L 4200 US Gal	GR 40	GR 40	GR 60	GR 60	GR 60	GR 60
20000 L US Gal	GR 60	GR 60	1xGR 25 1xGR 60	1xGR 25 1xGR 60	1xGR 25 1xGR 60	1xGR 25 1xGR 60
30000 L US Gal	GR 100	GR 100	1xGR 25 1xGR 100	1xGR 40 1xGR 100	1xGR 60 1xGR 100	2xGR 100

Gold fishes with concentration lower than 5 cm for 100 L
Pesci rossi in concentrazione inferiore a 5 cm per 100 L



Gold fishes with concentration lower than 5 cm for 100 L
Pesci rossi in concentrazione inferiore a 5 cm per 100 L

GREEN RESET

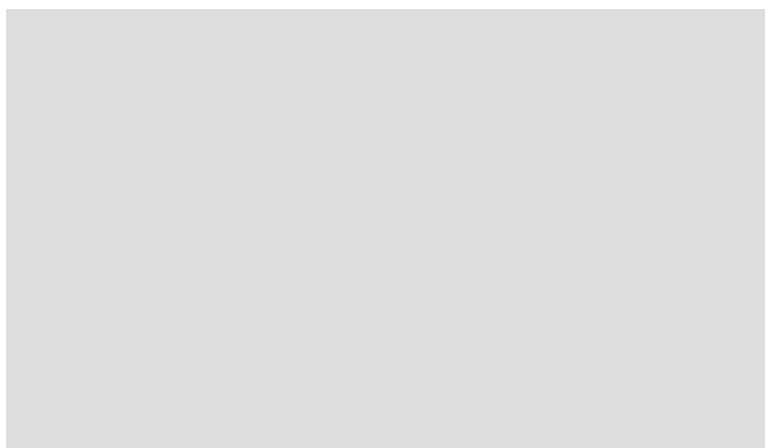
GARANZIA - GUARANTEE

GARANTIE - GARANTIE

GARANTÍA - GARANTIE

GARANTIA - ГАРАНТИЯ

GARANTIJA



TIMBRO E FIRMA DEL RIVENDITORE

SEAL AND SIGNATURE OF RESALE DEALER

STEMPEL UND UNTERSCHRIFT DES VERKÄUFERS

STEMPEL EN HANDTEKENING VAN DE DEALER

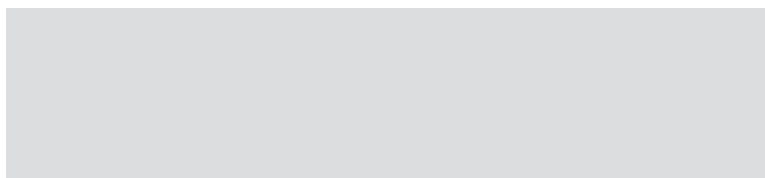
CACHET ET SIGNATURE DU REVENDEUR

SELLO Y FIRMA DEL REVENDEDOR

CARIMBO E ASSINATURA DO REVENDEDOR

печать и подпись перепродавца

PARDAVĒJO ANSPAUDAS IR PARAŠAS



DATE OF PURCHASE

VERKAUFSDATUM

DATUM VAN AANKOOP

DATE DE VENTE

FECHA DE VENTA

DATA DE VENDA

DATA DI VENDITA

Дата продажи

PIRKIMO DATA

Watch the video



made in Italy

SICCE S.r.l.

Via V. Emanuele, 115 - 36050 Pozzoleone (VI) - Italy

Tel. +39 0444 462826 - Fax +39 0444 462828 - P. IVA / VAT 02883090249

info_service@sicce.com - www.sicce.com

SICCE USA

1737 Louisville Drive - Knoxville, Tennessee 37921, USA

Ph. +1 865 291-3202 - Fax +1 865 291-3203

sales@sicceus.com - www.sicce.com

