



# KOCKNEY KOI



---

*HI FLOW AIR PUMP  
INSTRUCTION  
BOOKLET*



Please register your HI Flow Air Pump warranty online at  
[www.KockneyKoi.co.uk](http://www.KockneyKoi.co.uk)

**BRINGING HIGH QUALITY PRODUCTS AND  
IMPECCABLE SERVICE SINCE 1984**

# The Kockney Koi Hi Flow Air Pumps are designed using the very latest technological developments.

## Important Safety Information

- This Air Pump is designed for use outside, however it must be shielded from outside elements.
- NEVER PLACE THE AIR PUMP IN WATER or allow it to become submerged at any time!
- This Air Pump must be operated under the rated voltage and frequency as indicated on the pump rating label or instruction manual.
- This pump is solely intended to pump air. DO NOT use for oil, solvents, or any petroleum products.
- DO NOT pull the power cord to move the pump as this will damage the cord.
- DO NOT change the plug or shorten power supply cord by yourself.
- Always use a properly grounded AC outlet. DO NOT immerse the pumps plug in water or attempt to plug a wet plug into socket.
- Always unplug the unit from its power sources before installing or servicing. Should the unit appear to not be working, DO NOT attempt to reach, remove or disassemble before disconnecting from the power source.

WARNING: In case the Air Pump falls into the water, cut off the power IMMEDIATELY.

## Pump Location

Kockney Koi Hi Flow Air Pumps should be positioned on a solid flat horizontal surface when in use.

Make sure the pump works in a dry and dust free environment.

## Pump Installation

1. Place pump near intended area where you are going to be using the pump, and make sure the surface is level.
2. Ensure you allow are placing the pump with enough length of the cable to plug into the socket.
3. Push the Rubber joining connector over the outlet of the air pump and fasten in place using the metal clip provided.
4. Put the second metal clip over the open end of the rubber joining piece and insert the air manifold (either plastic or Chrome) provided into the rubber piece and secure with the metal clip. (If you have purchased a Hi Flow 120 or 225 models and wish to upgrade the plastic air manifold to a chrome tap manifold, these are available in various sizes, you will also need a new 20mm-20mm Rubber joining piece, both are available from your local Kockney Koi Stockist).
5. Once the air manifold is securely in place you can fix the 4mm airline onto the air outlets on your plastic or chrome manifold piece.
6. A anti syphon valve should be fitted to the air tube to ensure that water is not sucked back into the air pump when power supply is turned off or if the pump is installed under the water level of the pond. To fit the anti-syphon valves, cut the 4mm airline and push the airline onto the inlet and outlet of the valve and make sure the air is flowing in the direction of the arrow on the valve.  
PLEASE NOTE the anti-syphon valves only work in one direction, so checking it is installed properly is important.
7. Cut the airline after the valve to the desired length and then connect to your chosen air stone.
8. Ensure all the unused manifold outlets (ones without airline attached) are closed. For the chrome tap manifolds you can turn the tap to the off position to do this, for the plastic manifold this can be achieved by using a 4mm blanking cap which can be supplied by your local Kockney Koi Stockist.

## Maintenance

This air pump has been designed to allow quick and easy maintenance. Parts such as O-rings, diaphragms and valves are made of rubber and can wear over time. The Kockney Koi Hi Flow Air Pump range have been specifically designed to make the replacement of these parts as convenient as possible, and we have included in with your pump a spare set of diaphragms and inlet/exhaust valves. The Maintenance of this product must be completed by a technically competent person. If in any doubt please consult the retailer where the product was purchased.

Always unplug or disconnect the pump from the electricity supply before starting maintenance.

### Replacing the Air Stones:

The diffusion of air from the air stones will deteriorate over time. In order to maximise the efficiency of air output, air stones should be replaced every 12 months.

### Replacing the Diaphragms:

To maintain the highest level of efficiency of the air pump we recommend replacing the diaphragms every 12 months.

### Cleaning and Replacing the inlet and outlet foam:

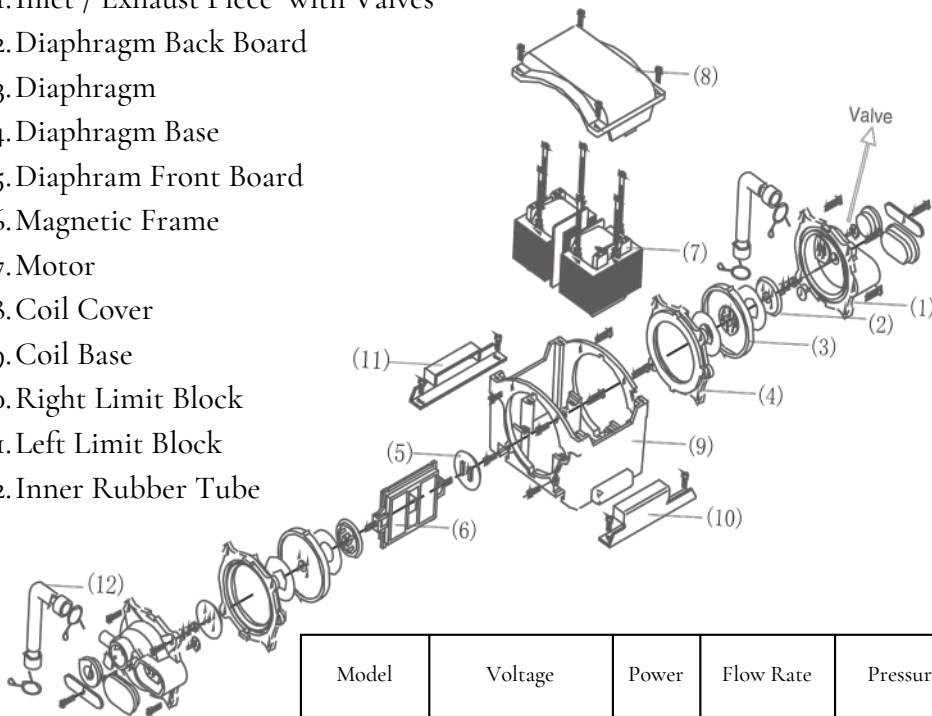
The inlet and outlet foams work as a filter to the air coming into and coming out of the pump. It will get dirty and block the air from coming in and coming out after some time of use. Cleaning and/or replacing the foam regularly will ensure you have the best performance.

To access the Inlet foam, loosen the screw nut to take off the top cover, the inlet foam is under the cover.

To access the outlet foam, open the housing of the pump by removing the screws from the pump base. The outlet foam is under the motor.

# Kockney Koi Hi Flow Air Pumps Exploded View

1. Inlet / Exhaust Piece with Valves
2. Diaphragm Back Board
3. Diaphragm
4. Diaphragm Base
5. Diaphragm Front Board
6. Magnetic Frame
7. Motor
8. Coil Cover
9. Coil Base
10. Right Limit Block
11. Left Limit Block
12. Inner Rubber Tube



Model	Voltage	Power	Flow Rate	Pressure
Hi Flow 20	220-240V/50-60Hz	17w	22L/min	0.028 Mpa
Hi Flow 50	220-240V/50-60Hz	40w	50L/min	0.042 Mpa
Hi Flow 120	220-240V/50-60Hz	100w	140L/min	0.042 Mpa
Hi Flow 225	220-240V/50-60Hz	230w	250L/min	0.045 Mpa

## TROUBLE SHOOTING

ALWAYS UNPLUG OR DISCONNECT THE PUMP FROM THE ELECTRICITY SUPPLY BEFORE STARTING MAINTENANCE.

### INCREASED NOISE

IF ONLY USING VERY FEW AIR STONES, THE BACK PRESSURE MAY BE CAUSING NOISE, IN THIS CASE ADDING EXTRA AIR STONES WILL CURE THIS.

### LOW AIR OUTPUT

CHECK FOR RESTRICTIONS TO THE AIRFLOW

- CHECK THE AIRLINE TUBE ISN'T KINKED OR TRAPPED.
- CHECK THERE ISN'T ANY DIRT OR DEBRIS IN THE AIRLINE TUBE.
- CHECK THE ANTI-SYPHON VALVE IS FITTED CORRECTLY & WORKING.
- CHECK THE AIR STONES ARE IN GOOD CONDITION AND SEE IF THESE NEED TO BE REPLACED.
- CHECK TO SEE IF THE INLET/OUTLET FOAMS, SEALS, INLET/EXHAUST VALVES OR DIAPHRAGMS NEED REPLACING.

### NO AIR OUTPUT

- CHECK POWER IS ON AND THE ELECTRICAL INSTALLATION IS CORRECT.
- THE PUMP MAY BE OVER-HEATED TRIGGERING THE AUTOMATIC THERMAL OVERLOAD SWITCH. TURN OFF THE POWER AT THE MAINS SUPPLY TO THE PUMP AND CHECK FOR THE CAUSE, INCLUDING DIAPHRAGMS, INLET/EXHAUST HOUSINGS AND INLET/OUTLET FOAMS.

Notes Page

Please attach a copy of your receipt here

Please remember to register your warranty online at [www.kockneykoi.co.uk](http://www.kockneykoi.co.uk)

Date of Purchase.....

Purchased from.....

Dates of maintenance performed.

Area with horizontal dashed lines for writing notes.



# KOCKNEY KOI



---

*CHECK OUT OUR WEBSITE  
TO SEE OUR FULL RANGE  
OF PRODUCTS*



**[KOCKNEYKOI.CO.UK](http://KOCKNEYKOI.CO.UK)**